

REEDY CREEK IMPROVEMENT DISTRICT

INDEX OF STANDARD DETAILS
for
POTABLE WATER, NON-POTABLE WATER, RECLAIMED WATER
& SANITARY SEWERAGE FACILITIES

General

Detail

<u>No.</u>	<u>Title</u>
G1	Utility Notes
G2	Standard Trench Detail
G4	Conflict Concrete Encasement
G5	Boring & Jack Detail
G6A	Standard Roadway Open Cut Restoration Detail
G6B	Standard Roadway Open Cut Restoration Detail
G7	Backflow Prevention for Construction Water
G8	Valve Identification Detail
G9	Pipe Detector Wire Installation
G10	Pipe Marking Tape Installation
G11	Double Row Staked Silt Fence
G12	Erosion Control Notes

Water

Detail

<u>No.</u>	<u>Title</u>
W1	Typical Blow-off Valve
W2	Temporary Combination Blow-off & Sampling Point
W3	Temporary Jumper Connection
W4	Typical Gate Valve Setting
W5	Typical Butterfly Valve Setting
W6	Typical Water Air & Vacuum Release Valve Detail
W7	Standard Backflow Preventer & Meter Installation
W8	Meter & Backflow Preventer With Bypass
W9	Fire Line Backflow Preventer Installation
W10A	Typical Fire Hydrant Setting
W10B	RCID Fire Hydrant Marking
W11	Standard Reclaimed Water Meter Installation

REEDY CREEK IMPROVEMENT DISTRICT

STANDARD DETAILS
for
POTABLE WATER, NON-POTABLE WATER, RECLAIMED WATER
& SANITARY SEWRAGE FACILITIES

(Continued)



Sewer

Detail

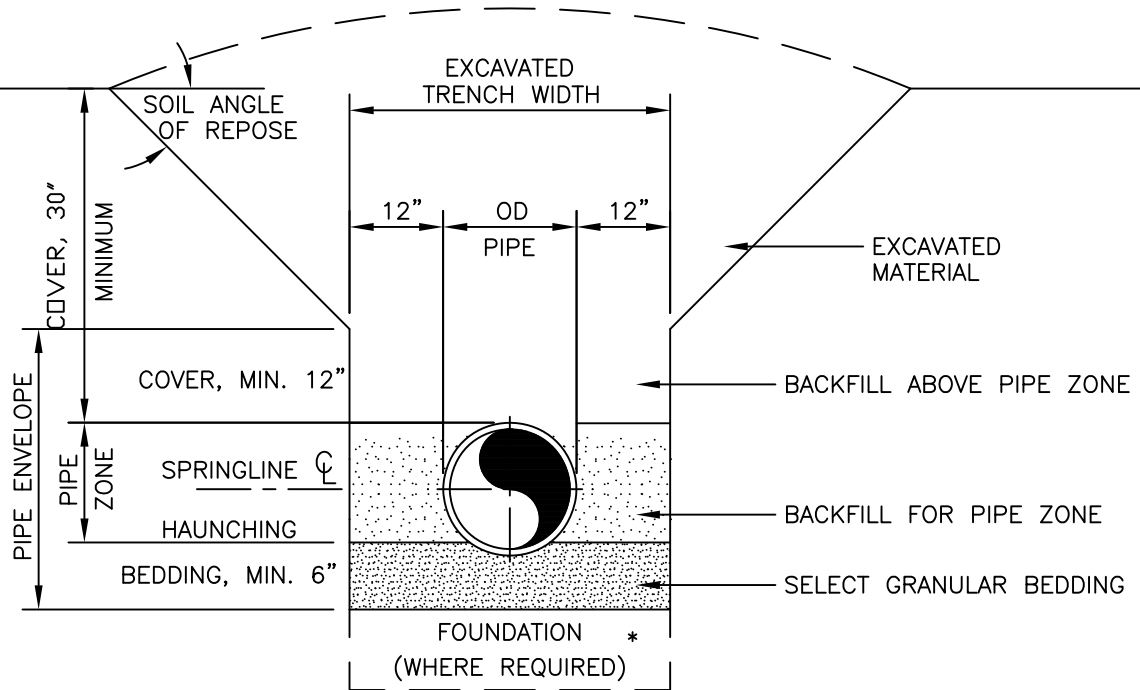
<u>No.</u>	<u>Title</u>
S1	Standard Manhole Frame & Cover
S2	Typical Precast Manhole
S3	Typical Manhole Details
S4	Typical Flat Top (Shallow) Manhole
S5	Typical Precast Drop Manhole
S6	Typical Saddle Manhole Over Existing Main
S7	Standard Manhole Connection Details
S8	Internal Drop Connection
S9	Standard Lateral Sewer Connections
S10	Sanitary Sewer Service Connection
S11	Sanitary Sewer Service Chimney Connection
S12	Sanitary Sewer Clean-out Detail
S13	Sanitary Force Main Details
S14	Roadway Sanitary Force Main Air & Vacuum Release Valve
S15	Force Main Clean-out Detail
S16	Typical Plug Valve Setting
S17A	Sanitary Sewerage Lift Station Detail (1000 GPM and Smaller)
S17B	Typical Sanitary Sewerage Lift Station Control Panel (1000 GPM and Smaller)
S17C	Typical Lift Station Control Panel Installation (1000 GPM and Smaller)

POTABLE WATER SANITARY SEWER & RECLAIMED WATER UTILITY NOTES:

1. WHEN A POTABLE WATER PIPE CROSSES A SANITARY HAZARD (SANITARY SEWER, SANITARY FORCE MAIN, STORM SEWER, RECLAIMED WATER PIPE) WITH LESS THAN 18 INCHES VERTICAL SEPARATION, THE SANITARY HAZARD PIPE SHALL BE ENCASED IN CONCRETE OR THE POTABLE WATER PVC PIPE SHALL BE REPLACED WITH DUCTILE IRON PIPE OR ENCASED IN CONCRETE FOR A DISTANCE OF 10 FEET EITHER SIDE OF THE CROSSING. WHEN A POTABLE WATER PIPE AND SANITARY HAZARD OTHER THAN RECLAIMED WATER PIPE HAVE A LATERAL SEPARATION LESS THAN 10 FEET OUTSIDE-TO-OUTSIDE, THE SANITARY HAZARD SHALL BE REPLACED WITH DUCTILE IRON PIPE, OR SHALL BE ENCASED IN CONCRETE. WHEN A POTABLE WATER PIPE AND A RECLAIMED WATER PIPE HAVE A LATERAL CENTERLINE-TO-CENTERLINE SEPARATION OF LESS THAN 5 FEET OR A LATERAL OUTSIDE-TO-OUTSIDE SEPARATION OF LESS THAN 3 FEET, THE RECLAIMED WATER PIPE SHALL BE REPLACED WITH DUCTILE IRON PIPE OR ENCASED IN CONCRETE.
2. ALL WATER MAIN MATERIALS AND APPURTENANCES SHALL CONFORM TO AND SHALL BE INSTALLED, TESTED AND CLEARED FOR SERVICE IN ACCORDANCE WITH THE "REEDY CREEK IMPROVEMENT DISTRICT UTILITY SPECIFICATIONS AND CONSTRUCTION STANDARDS" AND THE REQUIREMENTS OF THE FLORIDA DEPARTMENT OF ENVIRONMENTAL PROTECTION.
3. THE CONTRACTOR SHALL PERFORM HYDROSTATIC TESTING AT 200 PSI OF ALL NEWLY-INSTALLED POTABLE WATER AND RECLAIMED WATER DISTRIBUTION SYSTEMS IN ACCORDANCE WITH THE "REEDY CREEK IMPROVEMENT DISTRICT UTILITY SPECIFICATIONS AND CONSTRUCTION STANDARDS" AND THE REQUIREMENTS OF THE FLORIDA DEPARTMENT OF ENVIRONMENTAL PROTECTION.
4. THE CONTRACTOR SHALL DISINFECT ALL SECTIONS OF THE WATER DISTRIBUTION SYSTEM IN ACCORDANCE WITH THE FDEP WATER PERMIT, AND RECEIVE APPROVAL THEREOF FROM THE LOCAL WATER UTILITY, ENGINEER OF RECORD, AND FDEP, PRIOR TO PLACING IN SERVICE. IT IS THE CONTRACTOR'S RESPONSIBILITY TO OBTAIN COPIES OF THE FDEP WATER AND SEWER PERMITS FROM THE OWNER AND MAINTAIN THEM ON THE JOB SITE AT ALL TIMES. DISINFECTION OF THE WATER DISTRIBUTION SYSTEM SHALL BE PERFORMED IN ACCORDANCE WITH AWWA 651 "DISINFECTION WATER MAINS" AND THE STANDARDS OF REEDY CREEK IMPROVEMENT DISTRICT.
5. ALL POTABLE WATER MAINS MUST BEAR "NSF" "PW" LOGO.
6. POTABLE WATER PVC PIPE 4 INCH THROUGH 12 INCH MUST BE AWWA C900, DR 14, BLUE OR WHITE PIGMENTED.
7. RECLAIMED WATER PIPE 4 INCH THROUGH 12 INCH MUST BE AWWA C900, DR 14, PURPLE PIGMENTED.
8. SANITARY FORCE MAIN PVC PIPE 4 INCH THROUGH 12 INCH MUST BE AWWA C900, DR 18, GREEN, BROWN OR WHITE PIGMENTED.
9. PLASTIC WATER SERVICE PIPING AND FITTINGS 1 THROUGH 3 INCHES SHALL CONFORM TO THE REQUIREMENTS OF AWWA C800 AND C901 (POLYETHYLENE TUBING). SERVICE PIPING 2 INCHES THROUGH 3 INCHES MAY ALSO BE PVC CONFORMING TO ASTM D2241, SDR 21.
10. PVC GRAVITY SEWER 4 INCH THROUGH 15 INCH SHALL BE EITHER ASTM D3034, SDR 35 OR ASTM F794 OPEN PROFILE. JOINTS SHALL BE INTEGRAL BELL ELASTOMERIC GASKET IN ACCORDANCE WITH ASTM D3212 AND ASTM F477. ALL PVC SEWER SHALL BEAR THE "NSF- DW" SEAL.
11. UNDERGROUND FIRE LINES SHALL MEET NFPA 24 REQUIREMENTS.
12. ALL UNDERGROUND UTILITY PIPING SHALL HAVE A MINIMUM OF 3 FEET OF COVER UNLESS SHOWN OTHERWISE ON THE PLANS OR AS DIRECTED BY THE ENGINEER.
13. CONTRACTOR TO COORDINATE WITH UTILITY COMPANIES PRIOR TO ANY CONSTRUCTION ACTIVITY FOR UTILITY LOCATES, ELECTRICAL PERMITS OR OTHER PERMITS AS APPLICABLE. CONTRACTOR IS TO COORDINATE FULLY WITH UTILITY COMPANIES ON EXACT LOCATION OF UNDERGROUND UTILITIES PRIOR TO EXCAVATION. CONTRACTOR TO CONTACT SUNSHINE 811 AND REEDY CREEK ENERGY SERVICES FOR UTILITY LOCATES AS REQUIRED IN SPECIFICATION SECTION 01111.
14. THE LOCATIONS OF ALL EXISTING UTILITIES AND STORM DRAINAGE SHOWN ON THE PLANS HAVE BEEN DETERMINED FROM AVAILABLE INFORMATION AND ARE GIVEN FOR THE CONVENIENCE OF THE CONTRACTOR. THE OWNER OR ENGINEER ASSUMES NO RESPONSIBILITY FOR ACCURACY. PRIOR TO THE START OF CONSTRUCTION, IT SHALL BE THE CONTRACTOR'S RESPONSIBILITY TO NOTIFY THE VARIOUS UTILITIES AND TO MAKE THE NECESSARY ARRANGEMENTS FOR ANY RELOCATION OF THESE UTILITIES WITH THE UTILITY COMPANY. THE CONTRACTOR SHALL EXERCISE CAUTION WHEN CROSSING ANY UNDERGROUND UTILITY. EXISTING UTILITIES WHICH INTERFERED WITH THE PROPOSED CONSTRUCTION SHALL BE RELOCATED AS DIRECTED ON THE PLANS.
15. THE CONTRACTOR SHALL LOCATE AND VERIFY ALL HORIZONTAL AND VERTICAL LOCATIONS OF EXISTING UTILITIES PRIOR TO CONSTRUCTION. THE CONTRACTOR SHALL NOTIFY THE ENGINEER IN WRITING OF ANY DISCREPANCIES PRIOR TO STARTING CONSTRUCTION.
16. ALL WATER AND SEWER LINES ARE TO BE CAPPED TEMPORARILY AT THEIR OPEN ENDS UNTIL CONNECTIONS ARE CONSTRUCTED.
17. ALL PROPERTY AFFECTED BY THIS WORK SHALL BE RESTORED TO A CONDITION EQUAL TO OR BETTER THAN EXISTED UNLESS SPECIFICALLY EXEMPTED BY THE PLANS. THE COST FOR SUCH RESTORATION SHALL BE INCIDENTAL TO OTHER CONSTRUCTION AND NO EXTRA COMPENSATION WILL BE ALLOWED.
18. A 48-HOUR NOTICE WILL BE GIVEN TO THE ENGINEER OF RECORD AND RCES INSPECTORS PRIOR TO TESTING ANY UTILITY SHOWN ON THESE PLANS.
19. WHEN TRENCH EXCAVATION EXCEEDS 5 FEET IN DEPTH:
 - A. CONTRACTOR SHALL CONFORM TO OSHA STANDARDS (29CFR SECTION 1926.650)
 - B. THE CONTRACTOR SHALL PROVIDE WRITTEN ASSURANCE OF COMPLIANCE WITH ALL APPLICABLE LAWS
 - C. TRENCH SAFETY SYSTEM SHALL BE THE RESPONSIBILITY OF THE CONTRACTOR
20. THE CONTRACTOR SHALL MAINTAIN A RECORD SET OF DRAWINGS AT THE JOB SITE. THESE PLANS SHALL BE SUBMITTED TO THE OWNER AT THE COMPLETION OF EACH PHASE.

 Civil Engineering Department P.O. BOX 10000, Lake Buena Vista Florida 32830-1000 Certificate of Authorization No. 27841	GENERAL NOTES				DESIGNED FOR:  Reedy Creek <small>IMPROVEMENT DISTRICT</small>
					FIGURE:
	3	JH	3/22/2018	TITLE BLOCK UPDATED	G-1
	ISSUE	APPR	DATE	ISSUED FOR	

TRENCH EXCAVATION AND SHORING SHALL BE IN STRICT ACCORDANCE WITH OSHA STANDARD 1926-606, SUBPART P, EXCAVATIONS, TRENCHING AND SHORING, 29 CFR Ch. XVII (7-1-89) EDITION, AND OSHA REVISED RULE 2226, EXCAVATIONS (LATEST REVISION).



* SEE SPECIFICATIONS SECTION 02225

SOILTYPE	ANGLE OR REPOSE
LIMEROCK, CEMENTED SAND AND SHELL OR SAND AND GRAVEL	90°
COMPACTED ANGULAR GRAVELS, SHALE OR SHELL	60°
SANDY CLAY SOILS (AVERAGE)	45°
COMPACTED SHARP SAND	33.5°
ROUNDED LOOSE SAND	26.5°

NOT TO SCALE

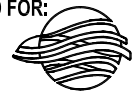


Civil Engineering Department
P.O. BOX 10000,
Lake Buena Vista Florida 32830-1000
Certificate of Authorization No. 27841

STANDARD TRENCH DETAIL

2	JH	3/22/2018	TITLE BLOCK UPDATED
ISSUE	APPR	DATE	ISSUED FOR

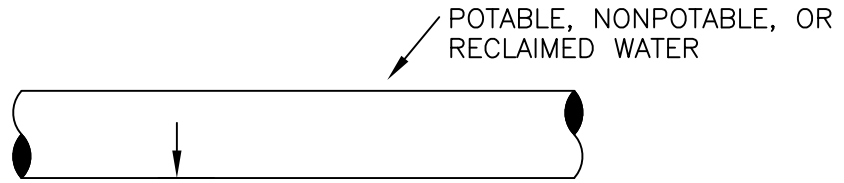
DESIGNED FOR:



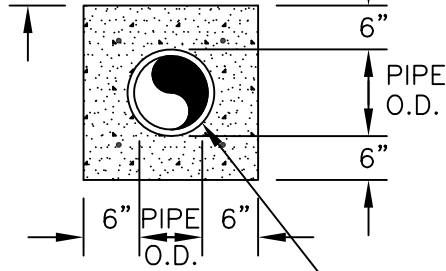
Reedy Creek
IMPROVEMENT DISTRICT

FIGURE:

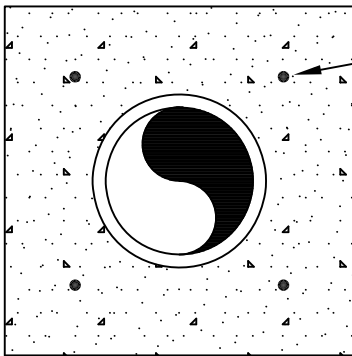
G-2



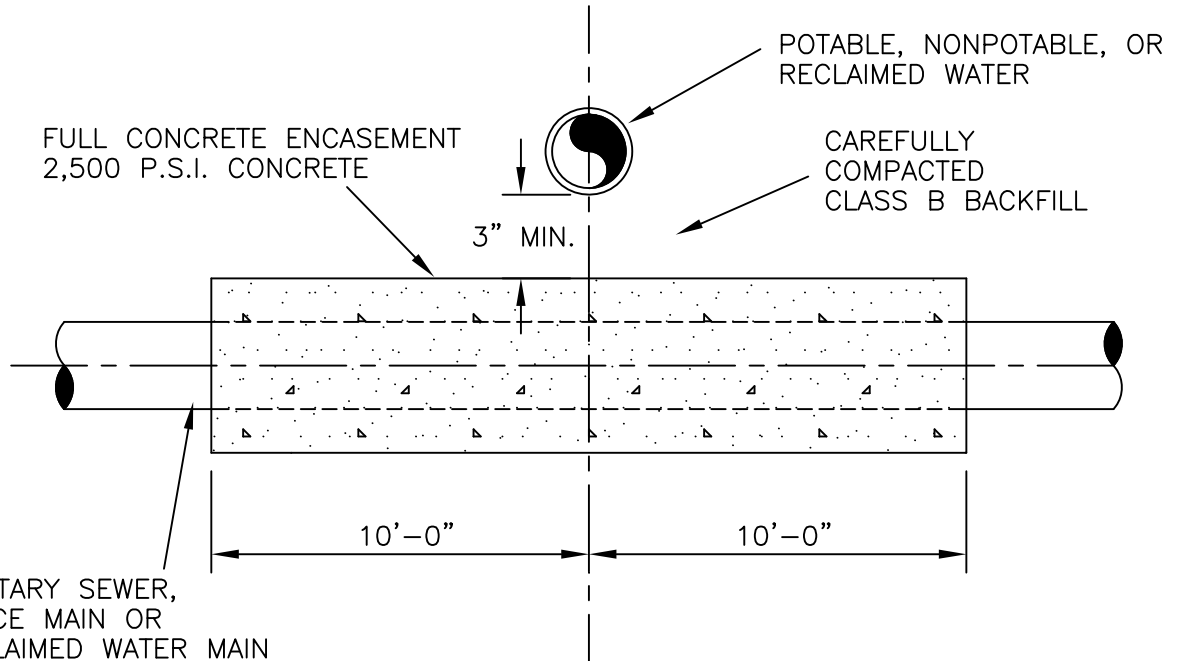
3" MIN.



SANITARY SEWER,
FORCE MAIN OR
RECLAIMED WATER MAIN



No. 4 BARS EACH
CORNER (TYP) WITH
15" LAP.



NOT TO SCALE



Civil Engineering Department
P.O. BOX 10000,
Lake Buena Vista Florida 32830-1000
Certificate of Authorization No. 27841

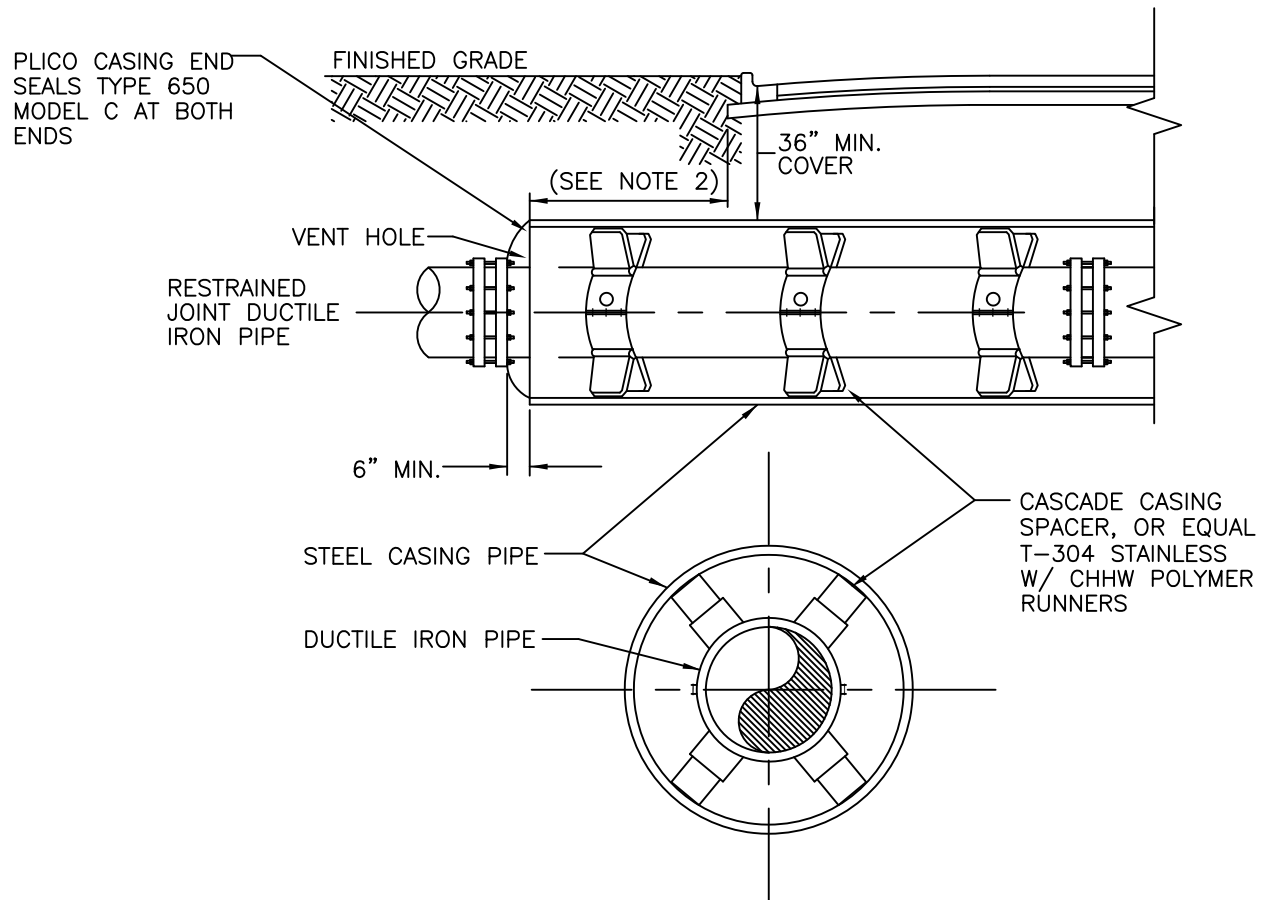
**CONFLICT CONCRETE
ENCASEMENT**



FIGURE:

G-4

2	JH	3/22/2018	TITLE BLOCK UPDATED
ISSUE	APPR	DATE	ISSUED FOR



NOTE:

1. WHERE PRACTICAL, CASING SHALL EXTEND 8' BEYOND EDGE OF PAVEMENT AND SHALL NOT BE LESS THAN 6' BEYOND EDGE OF PAVEMENT IN ANY CASE.
2. CASING SPACERS AND END SEALS TO BE INSTALLED PER MANUFACTURER'S RECOMMENDATIONS
3. DESIGN ENGINEER TO DETERMINE NEED FOR SACRIFICIAL ANODE (S) FOR CORROSION CONTROL

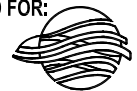
NOT TO SCALE



Civil Engineering Department
 P.O. BOX 10000,
 Lake Buena Vista Florida 32830-1000
 Certificate of Authorization No. 27841

**BORING AND
 JACK DETAIL**

DESIGNED FOR:

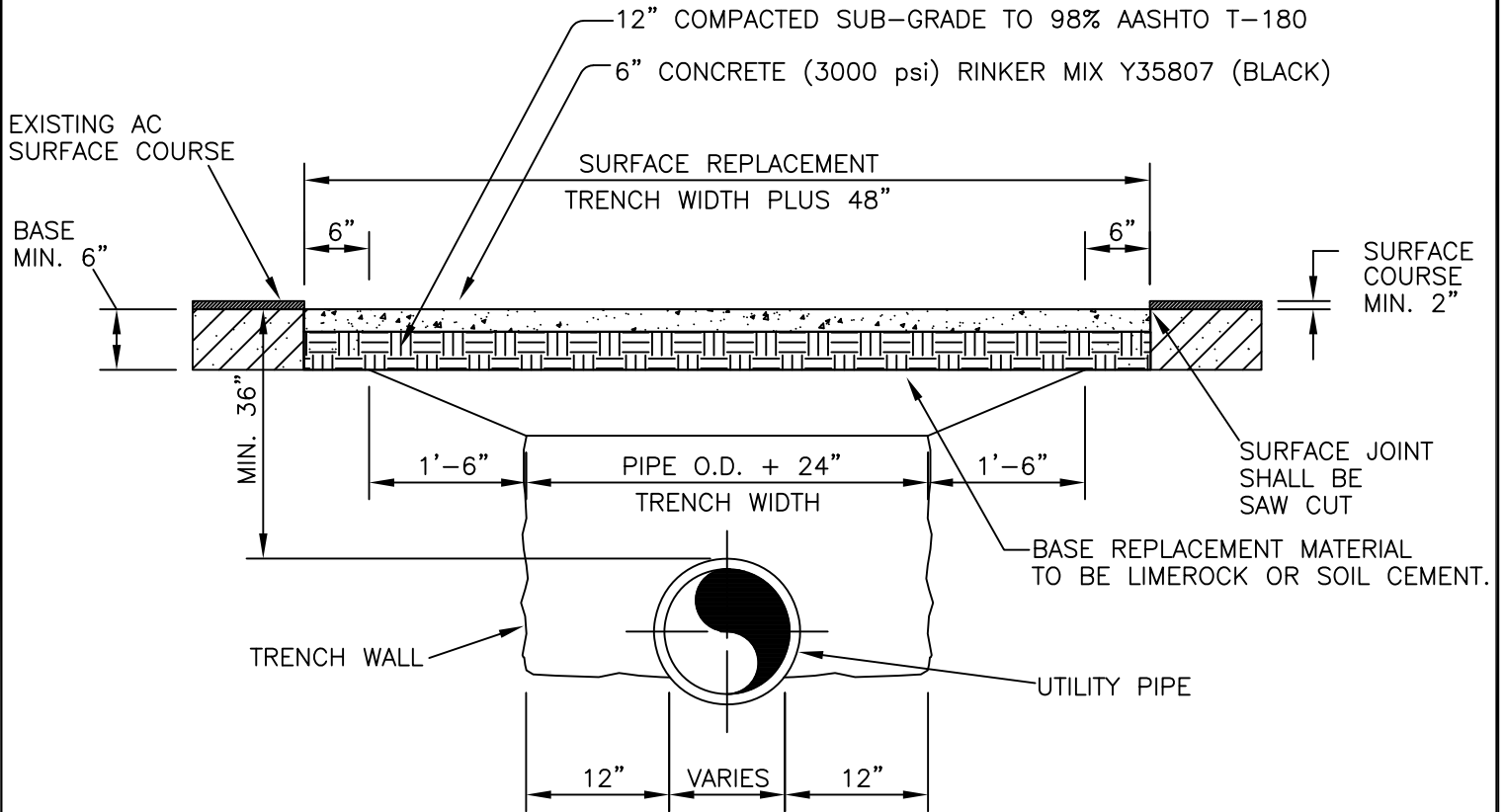


Reedy Creek
 IMPROVEMENT DISTRICT

FIGURE:

G-5

2	JH	3/22/2018	TITLE BLOCK UPDATED
ISSUE	APPR	DATE	ISSUED FOR



NOTES:

1. BACKFILL SHALL BE PLACED IN LAYERS NOT TO EXCEED 6 INCHES, FROM BENEATH THE HAUNCHES OF THE PIPE TO THE BASE AND SHALL BE COMPACTED TO NOT LESS THAN 98% RELATIVE DENSITY IN ACCORDANCE WITH AASHTO T-180.
2. BASE COURSE MATERIALS SHALL BE PLACED IN TWO OR THREE LIFTS AND SHALL BE COMPACTED BY TAMPING OR ROLLING TO THE ABOVE SPECIFIED DENSITY.
3. ROADWAY CUTS SHALL BE MADE BETWEEN THE HOURS OF 2 A.M. AND 6 A.M. TO MINIMIZE DISRUPTION OF TRAFFIC. ROADWAYS SHALL BE IN SAFE OPERATING CONDITION BY NOT LATER THAN 7 A.M. . THE CONTRACTOR SHALL PROVIDE SAFE, TEMPORARY DETOURS FOR TRAFFIC DURING OPEN CUT CONSTRUCTION.
4. COMPLY WITH FLORIDA TRENCH SAFETY ACT.

NOT TO SCALE

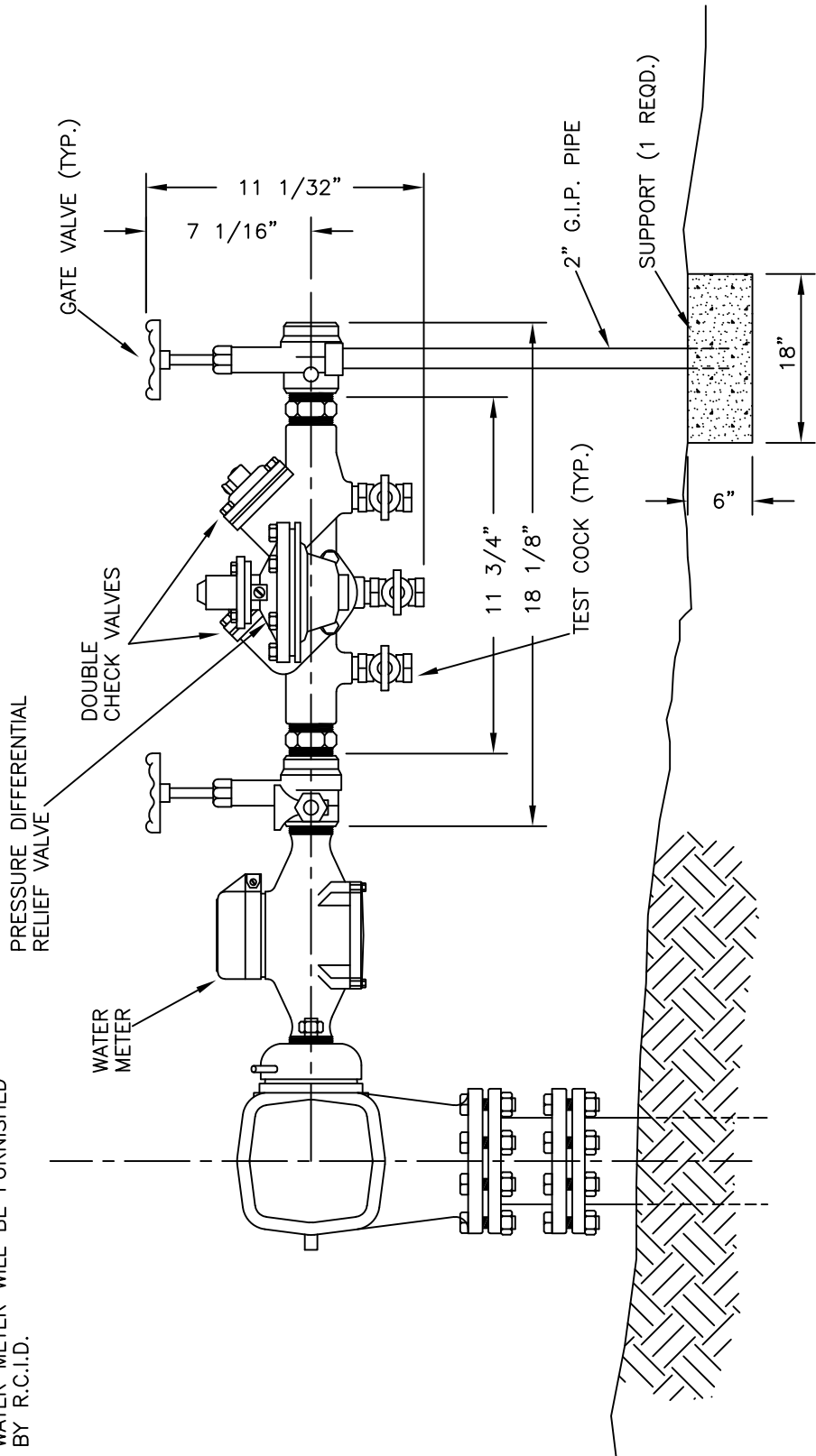
 Civil Engineering Department P.O. BOX 10000, Lake Buena Vista Florida 32830-1000 Certificate of Authorization No. 27841	STANDARD ROADWAY (BLACK CONCRETE PAVEMENT) OPEN CUT RESTORATION DETAIL				DESIGNED FOR:  Reedy Creek <small>IMPROVEMENT DISTRICT</small>
	2	JH	3/22/2018	TITLE BLOCK UPDATED	FIGURE: G-6b
	ISSUE	APPR	DATE	ISSUED FOR	

**REDUCED PRESSURE TYPE BACKFLOW PREVENTION
FOR CONSTRUCTION WATER REQUIREMENTS**

IN ACCORDANCE WITH THE REQUIREMENTS OF THE
FOUNDATION FOR CROSS CONNECTION CONTROL AND THE
HYDRAULIC RESEARCH INSTITUTE; AWWA C506; ASSE.

NOTE:

WATER METER WILL BE FURNISHED
BY R.C.I.D.



1-1/2" CLA-VAL MODEL RP-2, OR APPROVED EQUAL

FLOW RATE IN G.P.M. 100
MAX. WORKING PRESSURE 150 PSI
HYDROSTATIC TEST 300 PSI
SCREWED CONNECTION, ANSI B16.5

NOT TO SCALE



Civil Engineering Department
P.O. BOX 10000,
Lake Buena Vista Florida 32830-1000
Certificate of Authorization No. 27841

**BACKFLOW PREVENTION FOR
CONSTRUCTION WATER**

2	JH	3/22/2018	TITLE BLOCK UPDATED
ISSUE	APPR	DATE	ISSUED FOR

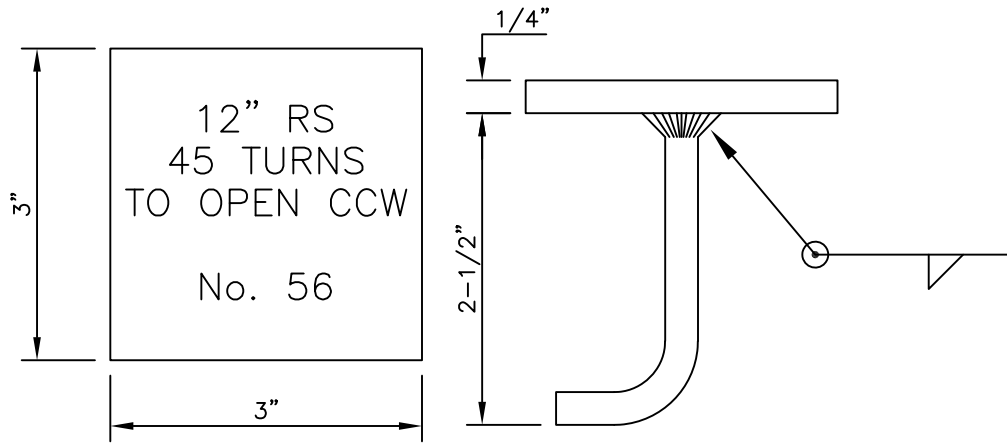
DESIGNED FOR:



Reedy Creek
IMPROVEMENT DISTRICT

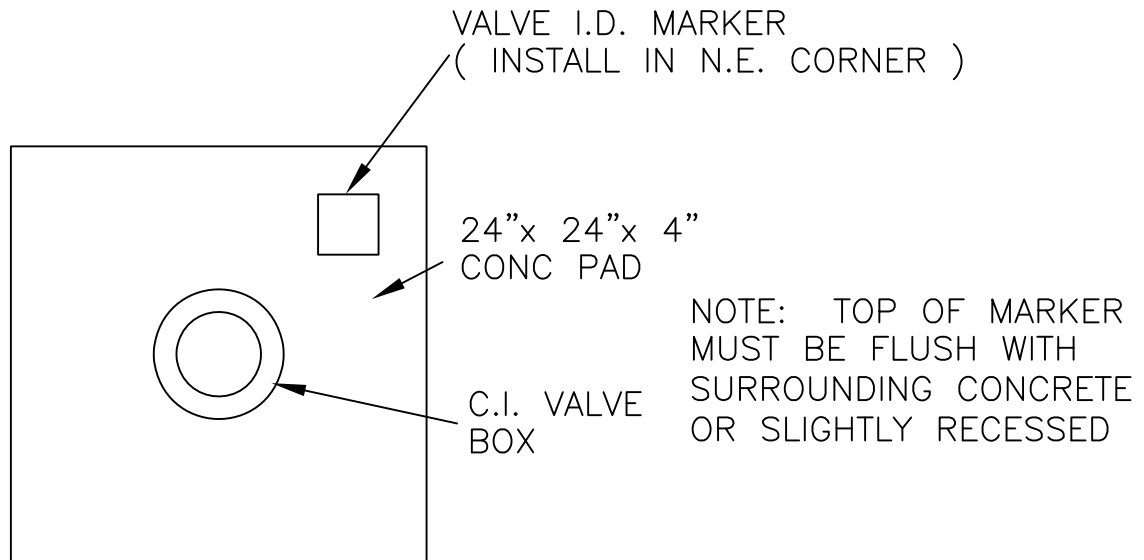
FIGURE:

G-7





1. PW – POTABLE WATER
2. RW – RAW WATER
3. RCW– RECLAIMED WATER
4. RS – RAW SEWAGE

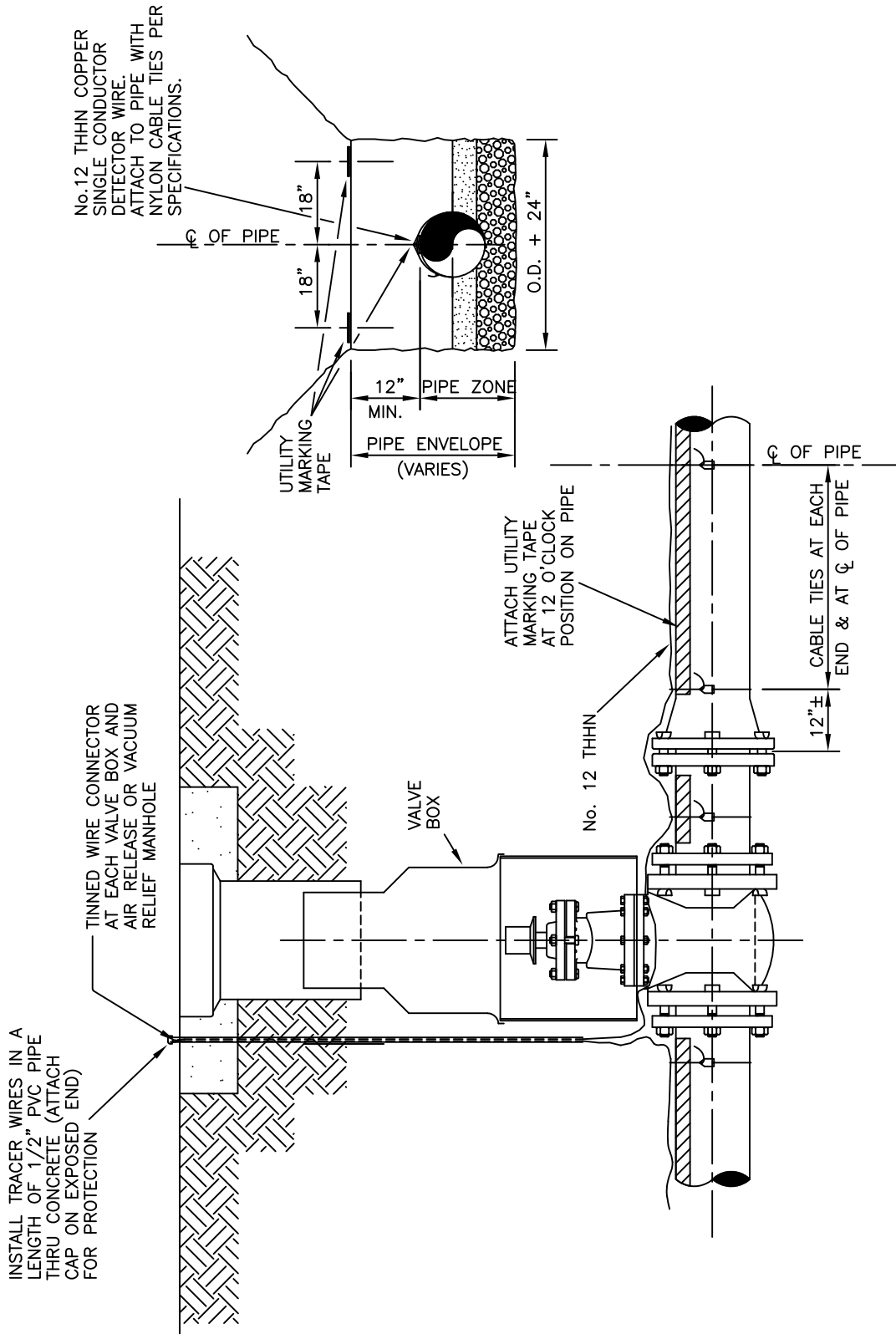
VALVE I.D. MARKER



VALVE BOX PAD

 Civil Engineering Department P.O. BOX 10000, Lake Buena Vista Florida 32830-1000 Certificate of Authorization No. 27841	VALVE BOX PAD				DESIGNED FOR:
	I.D. MARKER				 Reedy Creek <small>IMPROVEMENT DISTRICT</small>
					FIGURE:
	2	JH	3/22/2018	TITLE BLOCK UPDATED	G-8
<small>ISSUE</small>	<small>APPR</small>	<small>DATE</small>	<small>ISSUED FOR</small>		

UTILITY PIPING IDENTIFICATION AND DETECTION



PIPE TRACER WIRE TO BE USED ON NON-METALLIC PIPES ONLY

NOT TO SCALE

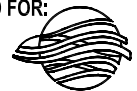


Civil Engineering Department
 P.O. BOX 10000,
 Lake Buena Vista Florida 32830-1000
 Certificate of Authorization No. 27841

PIPE DETECTOR WIRE & MARKING TAPE INSTALLATION

2	JH	3/22/2018	TITLE BLOCK UPDATED				
ISSUE	APPR	DATE	ISSUED FOR				

DESIGNED FOR:



Reedy Creek
IMPROVEMENT DISTRICT

FIGURE:

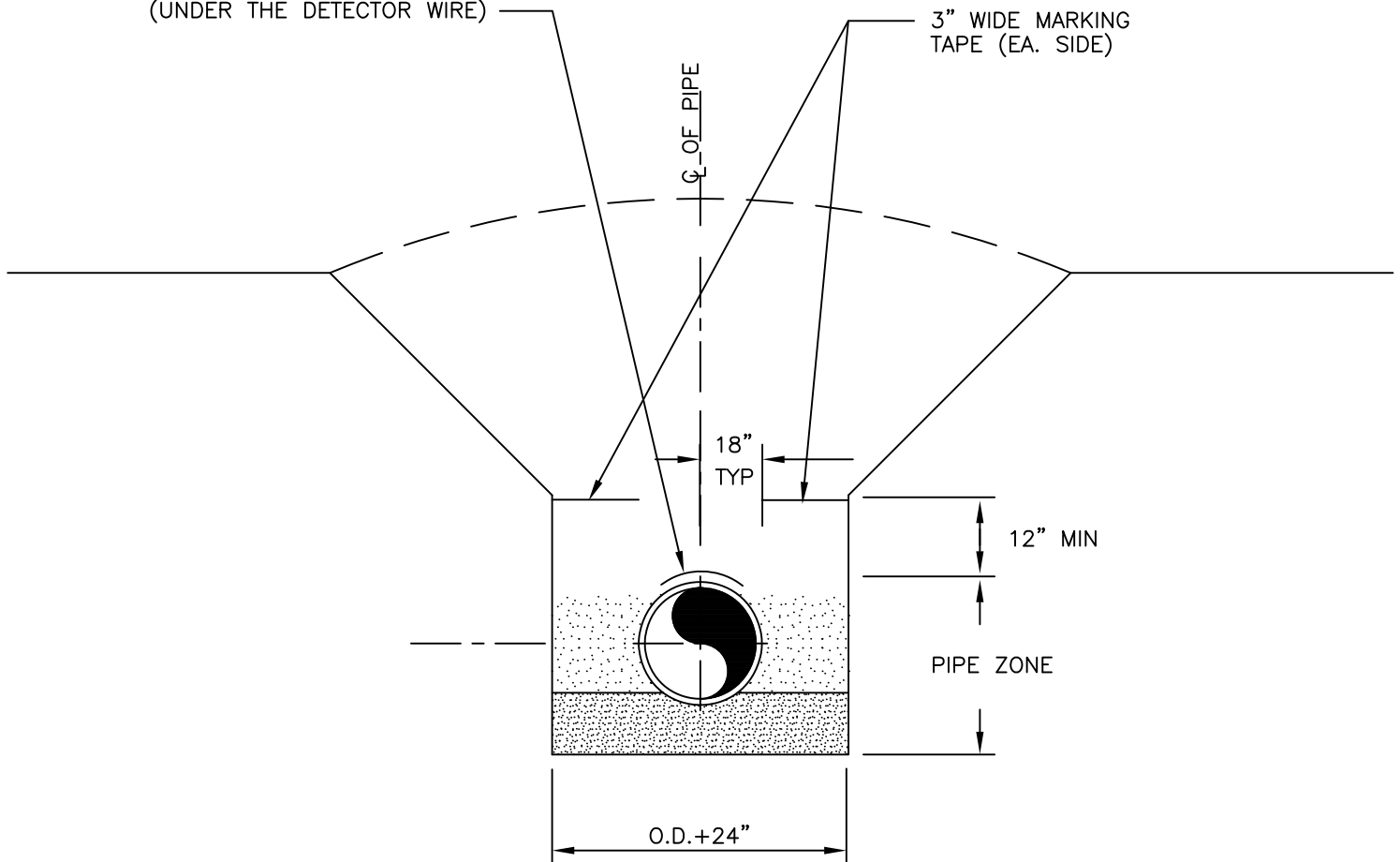
G-9

MARKING TAPE AND MESSAGES

PIPE	TAPE COLOR	MESSAGE	MESSAGE COLOR
POTABLE WATER	BLUE	"CAUTION POTABLE WATER MAIN BELOW"	BLACK OR WHITE
RECLAIM WATER	PURPLE	"CAUTION RECLAIMED WATER MAIN BELOW"	YELLOW
SANITARY FORCE MAIN	BROWN	"CAUTION SANITARY FORCE MAIN BELOW"	BLACK OR WHITE

6" WIDE MARKING TAPE
(ADHESIVE BACKING)
ATTACHED AT 12 O'CLOCK
POSITION ON PIPE
(UNDER THE DETECTOR WIRE)

3" WIDE MARKING
TAPE (EA. SIDE)



NOT TO SCALE

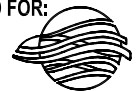


Civil Engineering Department
P.O. BOX 10000,
Lake Buena Vista Florida 32830-1000
Certificate of Authorization No. 27841

PIPE MARKING TAPE LOCATION

2	JH	3/22/2018	TITLE BLOCK UPDATED				
ISSUE	APPR	DATE	ISSUED FOR				

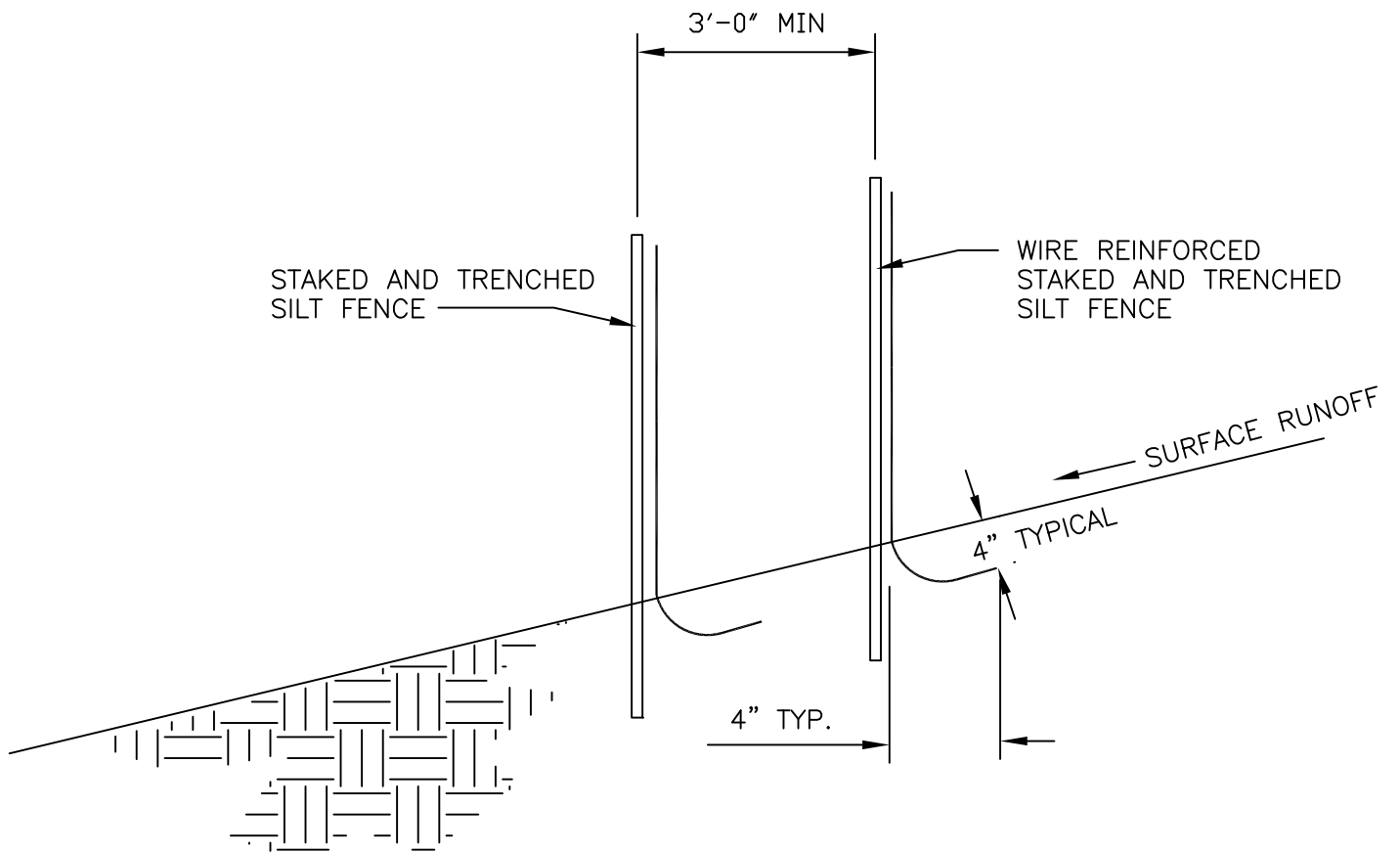
DESIGNED FOR:



Reedy Creek
IMPROVEMENT DISTRICT

FIGURE:

G-10



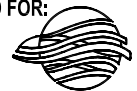
NOT TO SCALE



Civil Engineering Department
P.O. BOX 10000,
Lake Buena Vista Florida 32830-1000
Certificate of Authorization No. 27841

**DOUBLE ROW
STAKED SILT FENCE**

DESIGNED FOR:



Reedy Creek
IMPROVEMENT DISTRICT

FIGURE:



G-11

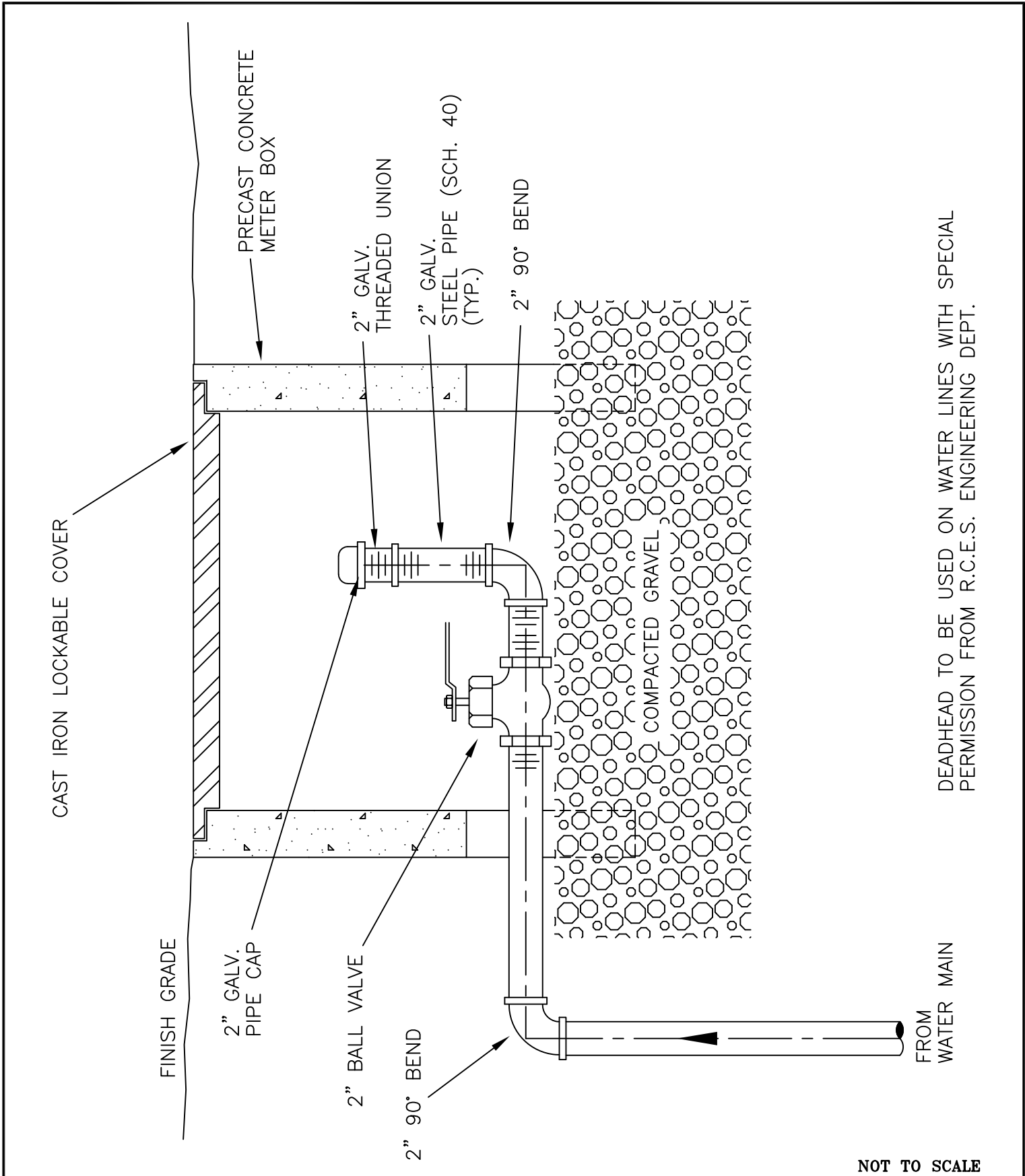
2	JH	3/22/2018	TITLE BLOCK UPDATED
ISSUE	APPR	DATE	ISSUED FOR

Erosion Prevention and Control construction Notes

- A. All erosion prevention and control measures must be inspected and approved by RCID compliance personnel prior to any construction activities. Removal of these same erosion controls and prevention measures may be done only after authorization by RCID compliance personnel is obtained.
- B. During construction the contractor will provide temporary seeding and mulching for areas that have been cleared and not reworked within 7 calendar days during the wet season (April through September) and 14 calendar days during the dry season (October through March). Also, all sides slopes shall be sodded or seeded or mulched within 7 days during the wet season and 14 days during the dry season.
- C. All surfaces water discharge from this site, including dewatering discharge shall meet state water quality standards (less than 29 NTU above background) prior to reaching any waters of the state, including wetlands.
- D. In the event that the erosion prevention and control devices shown in these plans prove not to be effective, alternate methods for maintaining state water quality standards for discharge from the construction site will be required. One effective alternative method includes the induction of Aluminum Sulfate (Alum) into the discharge from the construction site. Note that any alternate erosion prevention and control devices must be approved by RCID compliance personnel prior to placement.

NOT TO SCALE

 Civil Engineering Department P.O. BOX 10000, Lake Buena Vista Florida 32830-1000 Certificate of Authorization No. 27841	EROSION PREVENTION			DESIGNED FOR:
	CONTROL CONSTRUCTION NOTES			 Reedy Creek <small>IMPROVEMENT DISTRICT</small>
				FIGURE:
	2	JH	3/22/2018	G-12
<small>ISSUE</small>	<small>APPR</small>	<small>DATE</small>	<small>TITLE BLOCK UPDATED</small>	<small>ISSUED FOR</small>



DEADHEAD TO BE USED ON WATER LINES WITH SPECIAL PERMISSION FROM R.C.E.S. ENGINEERING DEPT.

NOT TO SCALE



Civil Engineering Department
 P.O. BOX 10000,
 Lake Buena Vista Florida 32830-1000
 Certificate of Authorization No. 27841

**TYPICAL BLOW - OFF
 VALVE**

2	JH	3/23/2018	TITLE BLOCK UPDATED
ISSUE	APPR	DATE	ISSUED FOR

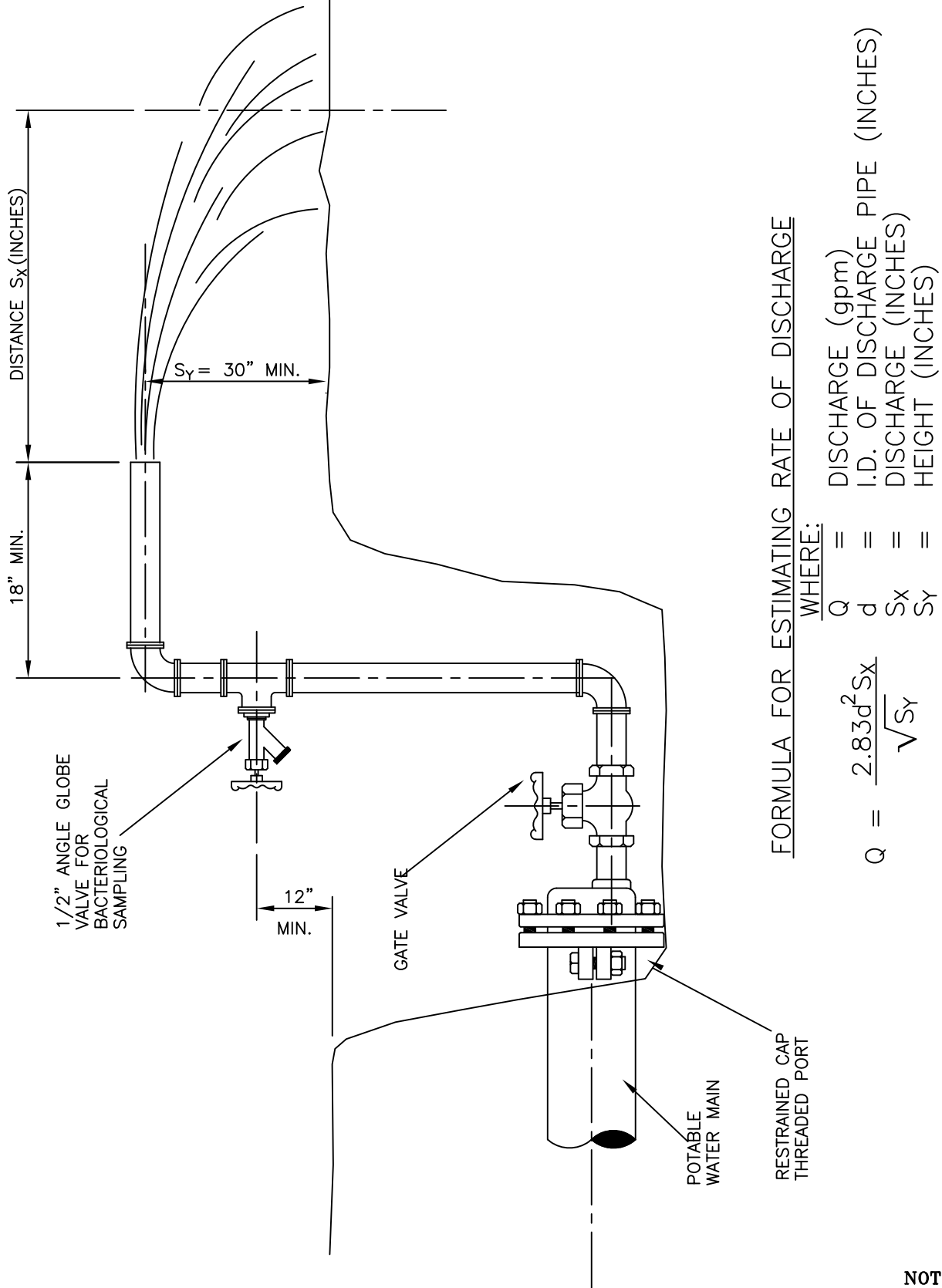
DESIGNED FOR:



Reedy Creek
 IMPROVEMENT DISTRICT

FIGURE:

W-1



FORMULA FOR ESTIMATING RATE OF DISCHARGE

WHERE:

$$Q = \frac{2.83d^2 S_x}{\sqrt{S_y}}$$

Q = DISCHARGE (gpm)
 d = I.D. OF DISCHARGE PIPE (INCHES)
 S_x = DISCHARGE (INCHES)
 S_y = HEIGHT (INCHES)

REF: AWWA MANUAL M12.

NOT TO SCALE



Civil Engineering Department
 P.O. BOX 10000,
 Lake Buena Vista Florida 32830-1000
 Certificate of Authorization No. 27841

TEMPORARY
 COMBINATION BLOWOFF
 AND SAMPLING POINT

2	JH	3/23/2018	TITLE BLOCK UPDATED
ISSUE	APPR	DATE	ISSUED FOR

DESIGNED FOR:



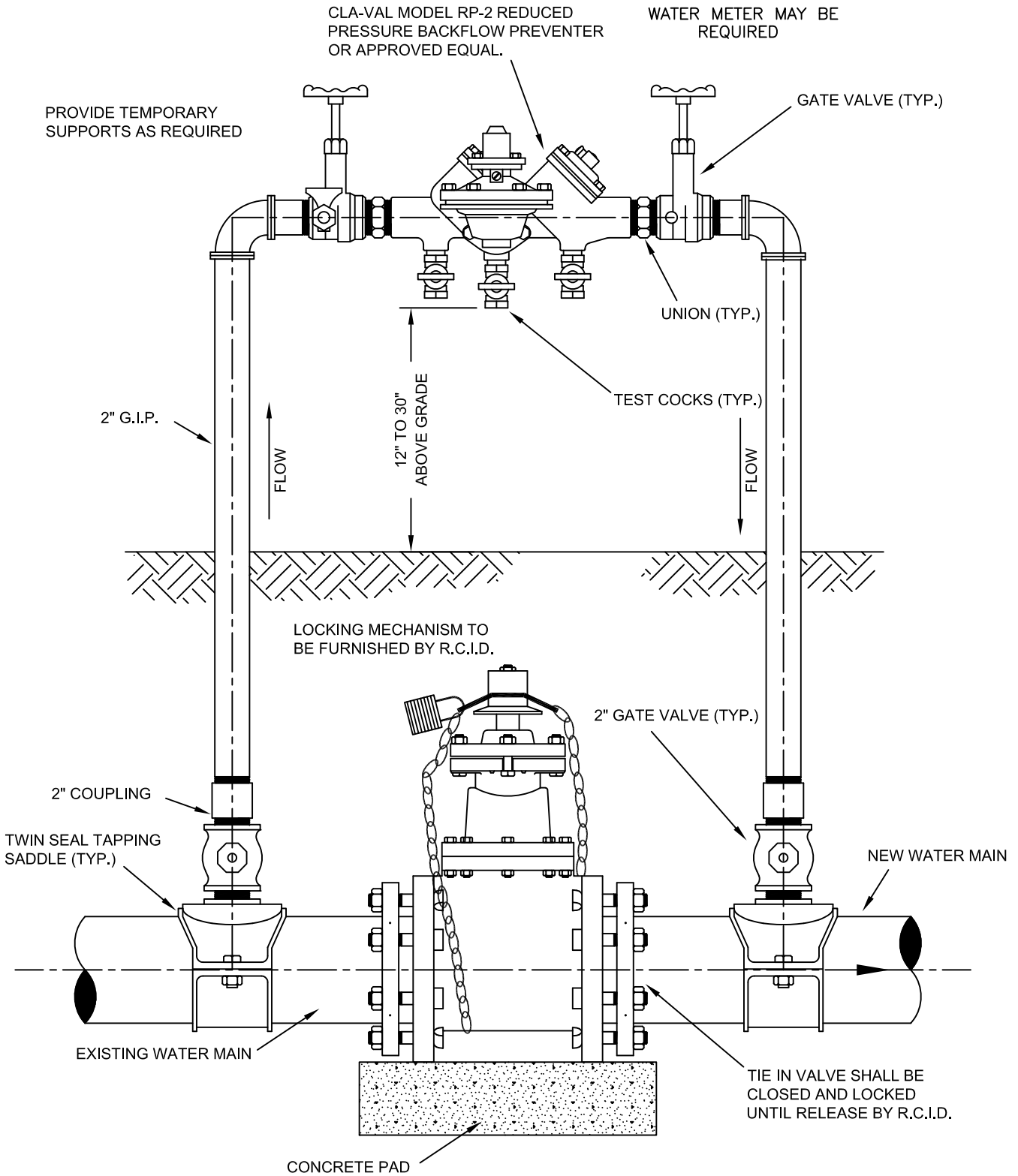
Reedy Creek
 IMPROVEMENT DISTRICT

FIGURE:

W-2

FOR NON-POTABLE USE ONLY

"FOR PIPELINE FILLING AND TESTING PURPOSES ONLY, NOT FOR FLUSHING."



NOT TO SCALE



Civil Engineering Department
 P.O. BOX 10000,
 Lake Buena Vista Florida 32830-1000
 Certificate of Authorization No. 27841

TEMPORARY JUMPER CONNECTION

2	JH	3/23/2018	TITLE BLOCK UPDATED
ISSUE	APPR	DATE	ISSUED FOR

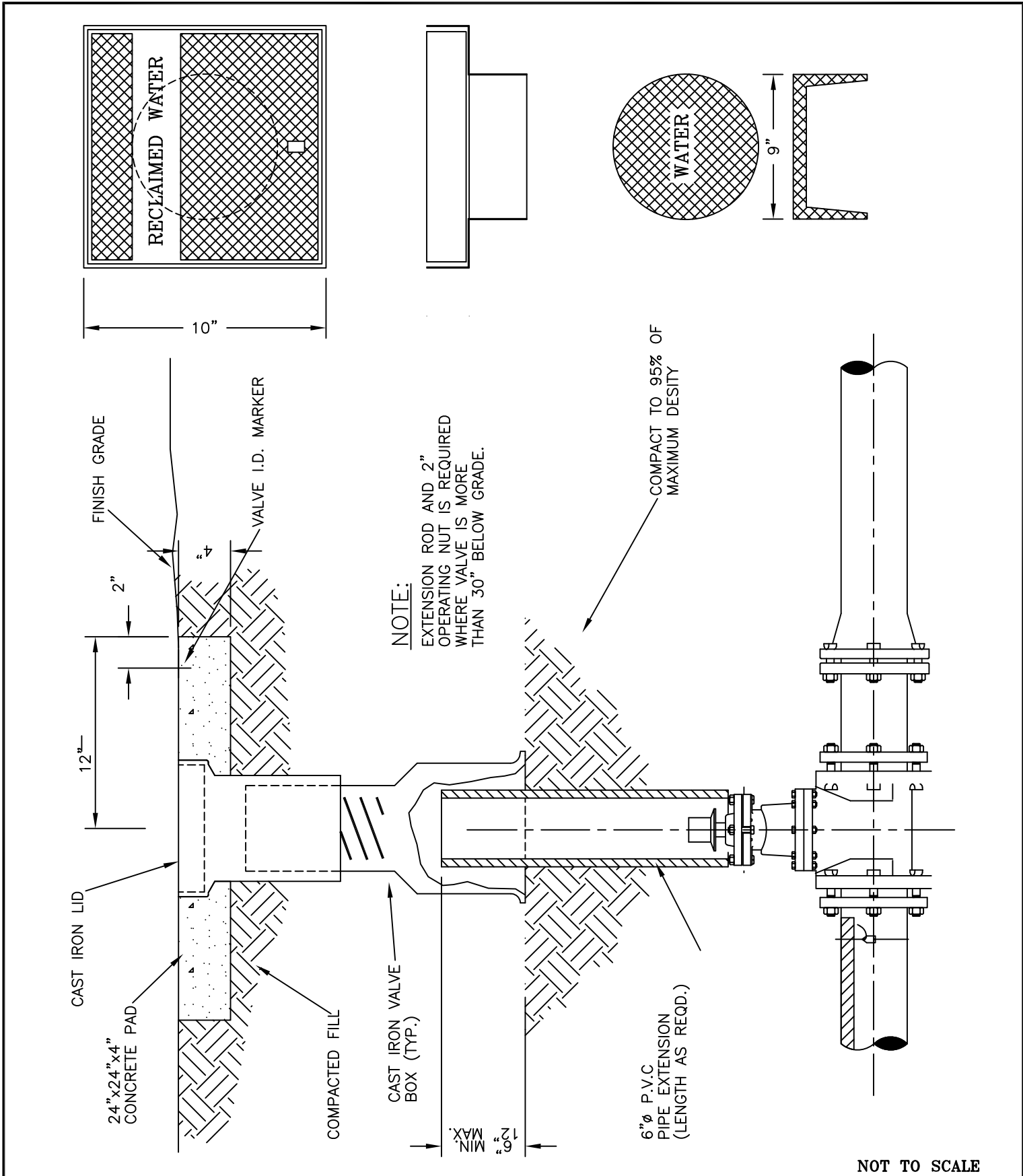
DESIGNED FOR:



Reedy Creek
 IMPROVEMENT DISTRICT

FIGURE:

W-3



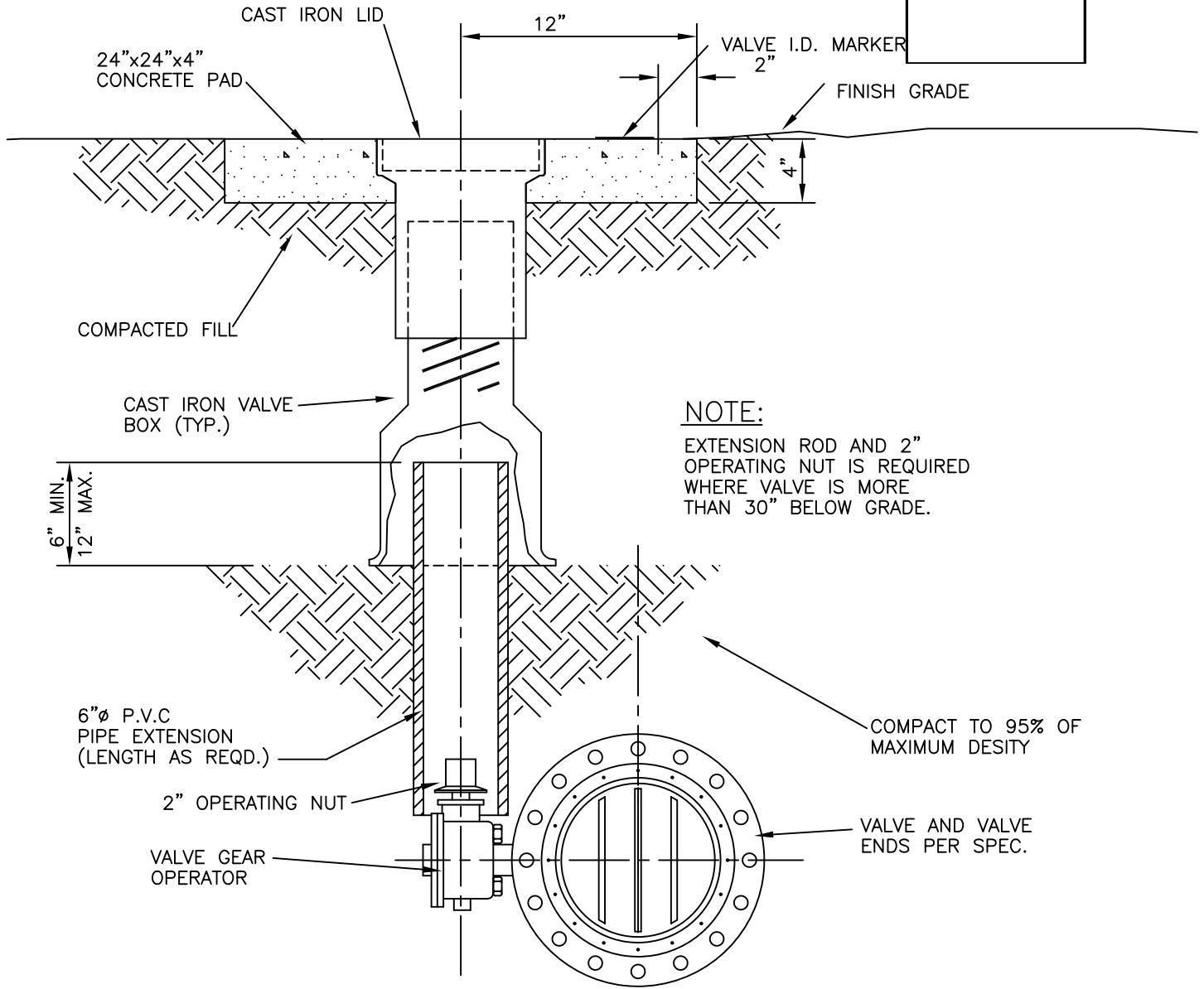
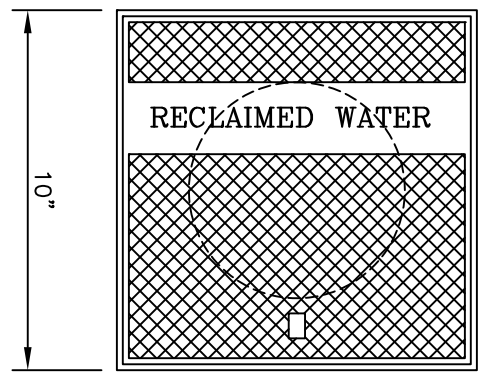
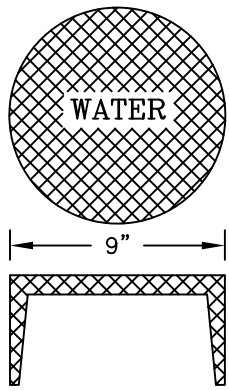
Civil Engineering Department
 P.O. BOX 10000,
 Lake Buena Vista Florida 32830-1000
 Certificate of Authorization No. 27841

TYPICAL GATE VALVE SETTING			
2	JH	3/23/2018	TITLE BLOCK UPDATED
ISSUE	APPR	DATE	ISSUED FOR

DESIGNED FOR:

Reedy Creek
IMPROVEMENT DISTRICT

FIGURE:
W-4



NOTE:
 EXTENSION ROD AND 2"
 OPERATING NUT IS REQUIRED
 WHERE VALVE IS MORE
 THAN 30" BELOW GRADE.

COMPACT TO 95% OF
 MAXIMUM DENSITY

VALVE AND VALVE
 ENDS PER SPEC.

NOT TO SCALE



Civil Engineering Department
 P.O. BOX 10000,
 Lake Buena Vista Florida 32830-1000
 Certificate of Authorization No. 27841

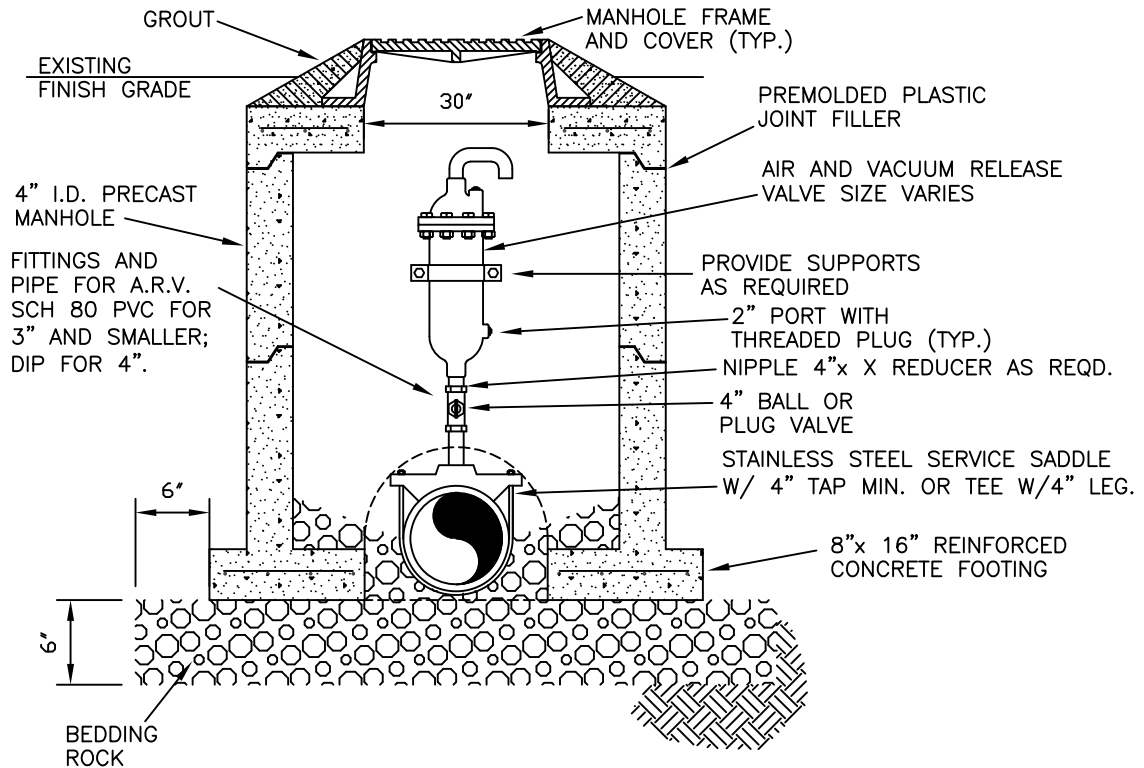
BUTTERFLY VALVE SETTING

2	JH	3/23/2018	TITLE BLOCK UPDATED
ISSUE	APPR	DATE	ISSUED FOR

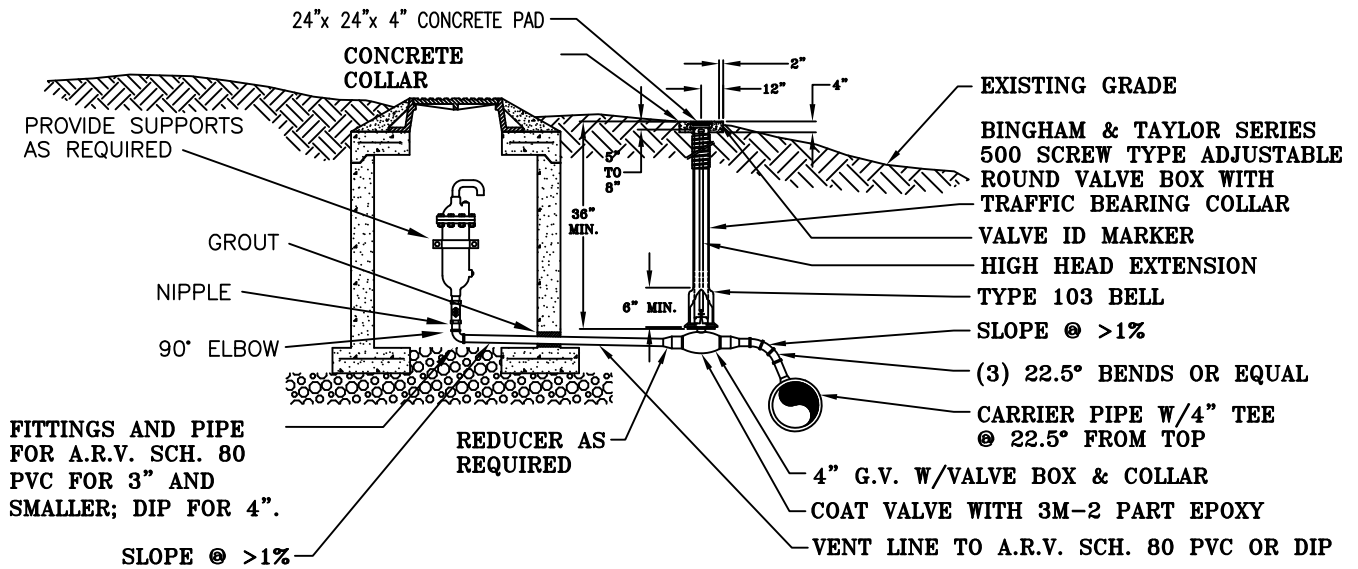


FIGURE:

W-5



TYPICAL DETAIL



OFFSET INSTALLATION

NOTE:

IN NON-TRAFFIC AREAS CORRUGATED, ALUMINUM PIPE MAY BE SUBSTITUTED FOR CONCRETE MANHOLE SECTION, ONLY WITH THE APPROVAL OF THE DISTRICT.

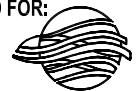
NOT TO SCALE



Civil Engineering Department
 P.O. BOX 10000,
 Lake Buena Vista Florida 32830-1000
 Certificate of Authorization No. 27841

TYPICAL WATER AIR AND VACUUM
 RELEASE VALVE DETAILS

DESIGNED FOR:



Reedy Creek
 IMPROVEMENT DISTRICT

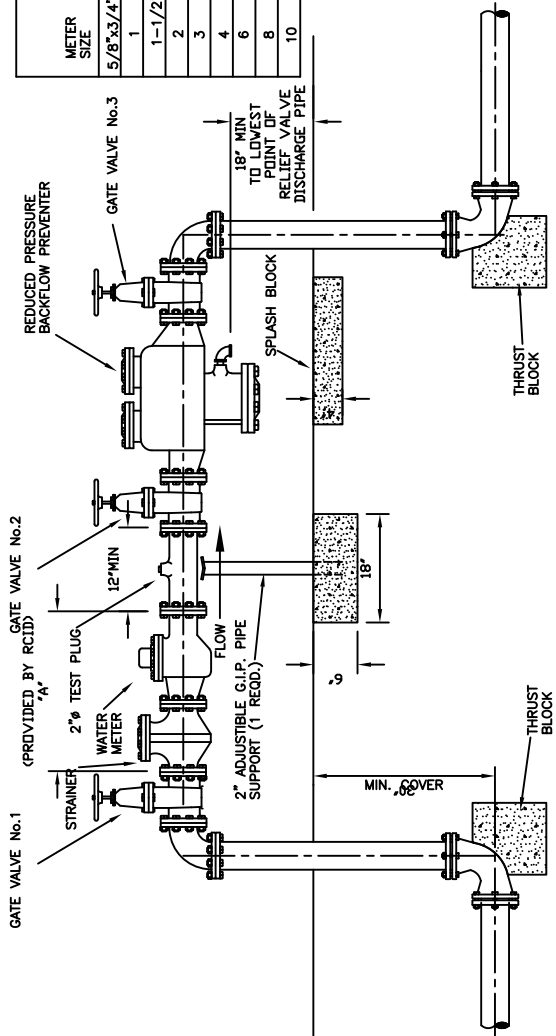
FIGURE:

W-6

3	JH	3/23/2018	TITLE BLOCK UPDATED
ISSUE	APPR	DATE	ISSUED FOR

METER SIZE	METER TYPE / MODEL / LAY LENGTH "A"											
	POSITIVE DISPLACEMENT		COMPOUND		TURBINE		FIRE LINE		STANDARD		COMPACT	
	A	MODEL	A	MODEL	A	MODEL	A	MODEL	A	MODEL	A	MODEL
5/8"x3/4"	7-1/2"	SRI	--	--	--	--	--	--	--	--	--	--
1-1/2"	10-3/4"	SRI	--	--	--	--	--	--	--	--	--	--
2	13"	SRI	--	--	13"	W-120 DRS	--	--	--	--	--	--
3	17"	SRI	22-1/4"	SRH	17"	W-160 DRS	--	--	--	--	--	--
4	--	--	24"	SRH	19"	W-35- DRS	--	--	--	--	--	--
6	--	--	29"	SRH	23"	W-1000 DR	51.88"	4x1-1/2"	33.00"	4x1-1/2"	35.00"	4x1-1/2"
8	--	--	33"	SRH	27-1/8"	W-2000 DR	67.63"	6x2	45.00"	6x2	45.00"	6x2
10	--	--	--	--	30-1/8"	W-3500 DR	77.00"	8x2	53.00"	8x2	53.00"	8x2
					41-1/8"	W-5500 DR	90.00"	10x2	68.00"	10x2	68.00"	10x2

NOTES:
 LAY LENGTH "A" INCLUDE STRAINER WHERE APPLICABLE
 METER / STRAINER ARE SENSUS
 ALL METERS 1-1/2" AND LARGER HAVE FLANGED ENDS
 ALL COMPACT TURBINE AND FIRELINE METERS
 SHALL HAVE STRAINERS



- NOTES
1. ALL PIPE, FITTINGS AND APPURTENANCES 4" IN DIAMETER AND LARGER, ABOVE GRADE SHALL BE FLANGED DUCTILE IRON
 2. ALL PIPE, FITTINGS AND APPURTENANCES BELOW GRADE SHALL BE MECHANICAL JOINT WITH MEGALUG OR APPROVED EQUAL MECHANICAL RESTRAINTS.
 3. PAINT ASSEMBLY WITH RED OXIDE PRIMER, FINISH COATS AS PER OWNER'S INSTRUCTIONS.
 4. BACKFLOW PREVENTER TO MEET RCID APPROVAL
 5. GATE VALVES 3" AND LARGER ARE RESILIENT SEAT TYPE.
 6. TYPE AND SIZE OF METER TO BE DETERMINED BY RCID
 7. IN SOME INSTANCES, TEST PLUGS MAY BE INCORPORATED INTO THE METER BODY
 8. PROVIDE 4" DIAMETER BOLLARDS AS REQUIRED TO PROTECT METER
 9. IF METER SIZE IS LESS THAN LINE SIZE, PROVIDE NECESSARY REDUCERS.

PIPE SIZE	ABOVE GROUND		ABOVE GROUND	
	MATERIAL	ENDS	MATERIAL	ENDS
3/4"		THREADED		THREADED
1"				OR
1-1/2"	GALVANIZED		GALVANIZED	SOLVENT
2"		FLANGED		
3"				
4"				
6"	DUCTILE IRON		DUCTILE IRON	RESTRAINED MECHANICAL JOINT
8"				
10"				
12"				

NOT TO SCALE



Civil Engineering Department
 P.O. BOX 10000,
 Lake Buena Vista Florida 32830-1000
 Certificate of Authorization No. 27841

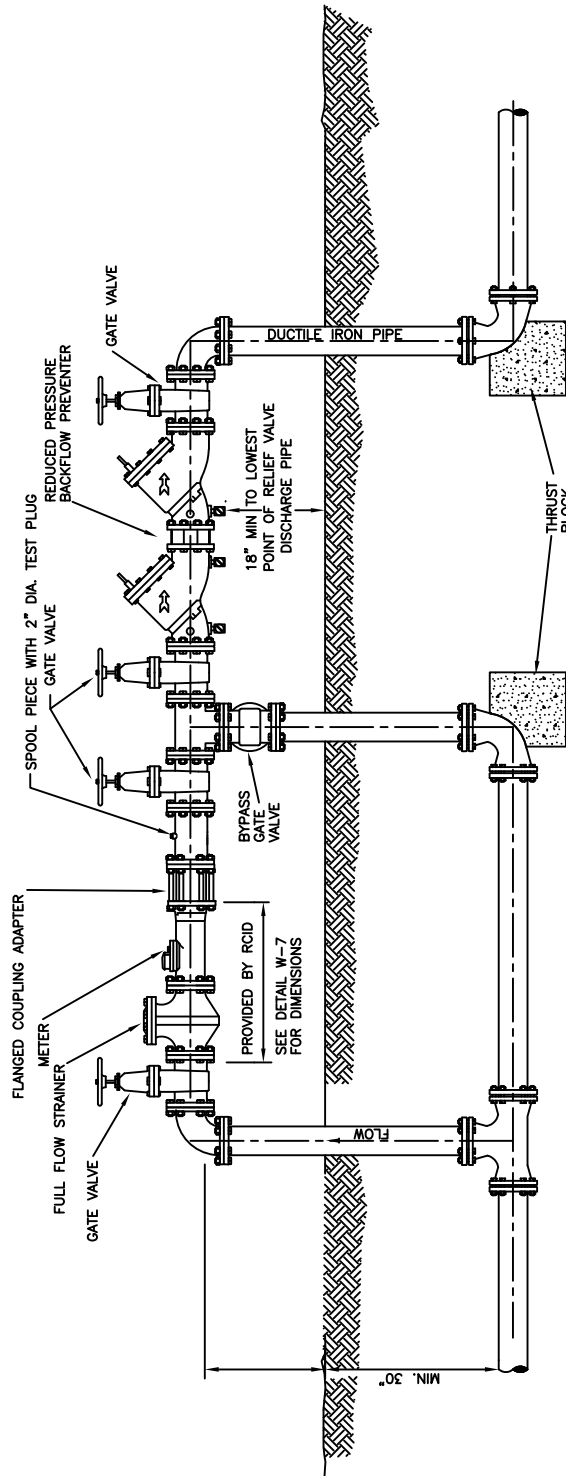
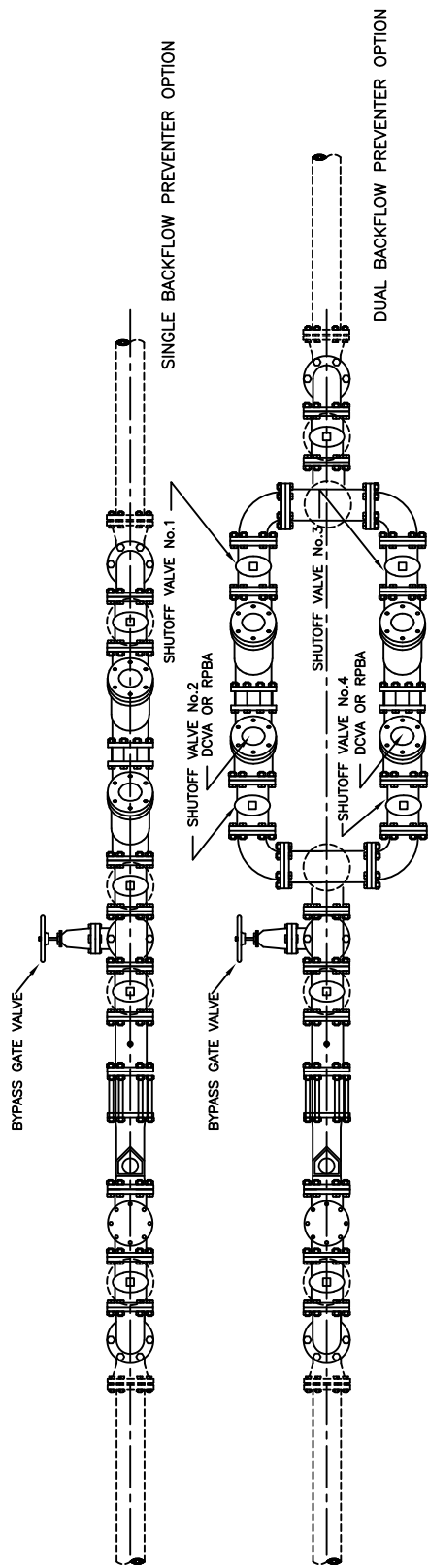
STANDARD BACKFLOW PREVENTER AND METER INSTALLATION



FIGURE:

W-7

2	JH	3/23/2018	TITLE BLOCK UPDATED
ISSUE	APPR	DATE	ISSUED FOR



NOTE: SEE DETAIL W-7 FOR ADDITIONAL REQUIREMENTS

NOT TO SCALE



Civil Engineering Department
 P.O. BOX 10000,
 Lake Buena Vista Florida 32830-1000
 Certificate of Authorization No. 27841

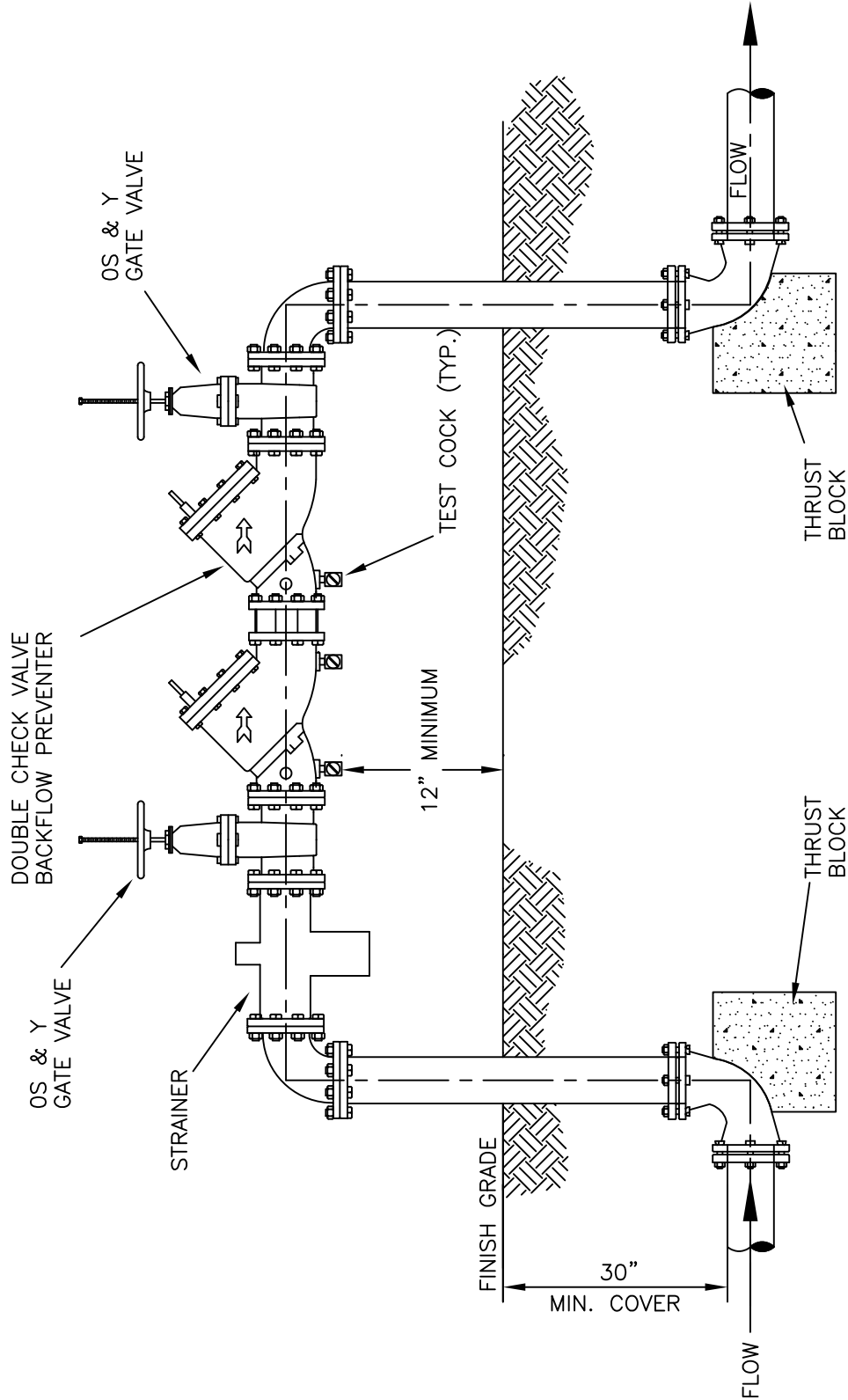
METER AND REDUCED PRESSURE BACKFLOW PREVENTER WITH BYPASS

2	JH	3/23/2018	TITLE BLOCK UPDATED
ISSUE	APPR	DATE	ISSUED FOR



FIGURE:

W-8



- NOTES**
1. FOR FIRE LINE SERVICE ONLY
 2. SEE DETAIL W-7 FOR OTHER REQUIREMENTS

NOT TO SCALE



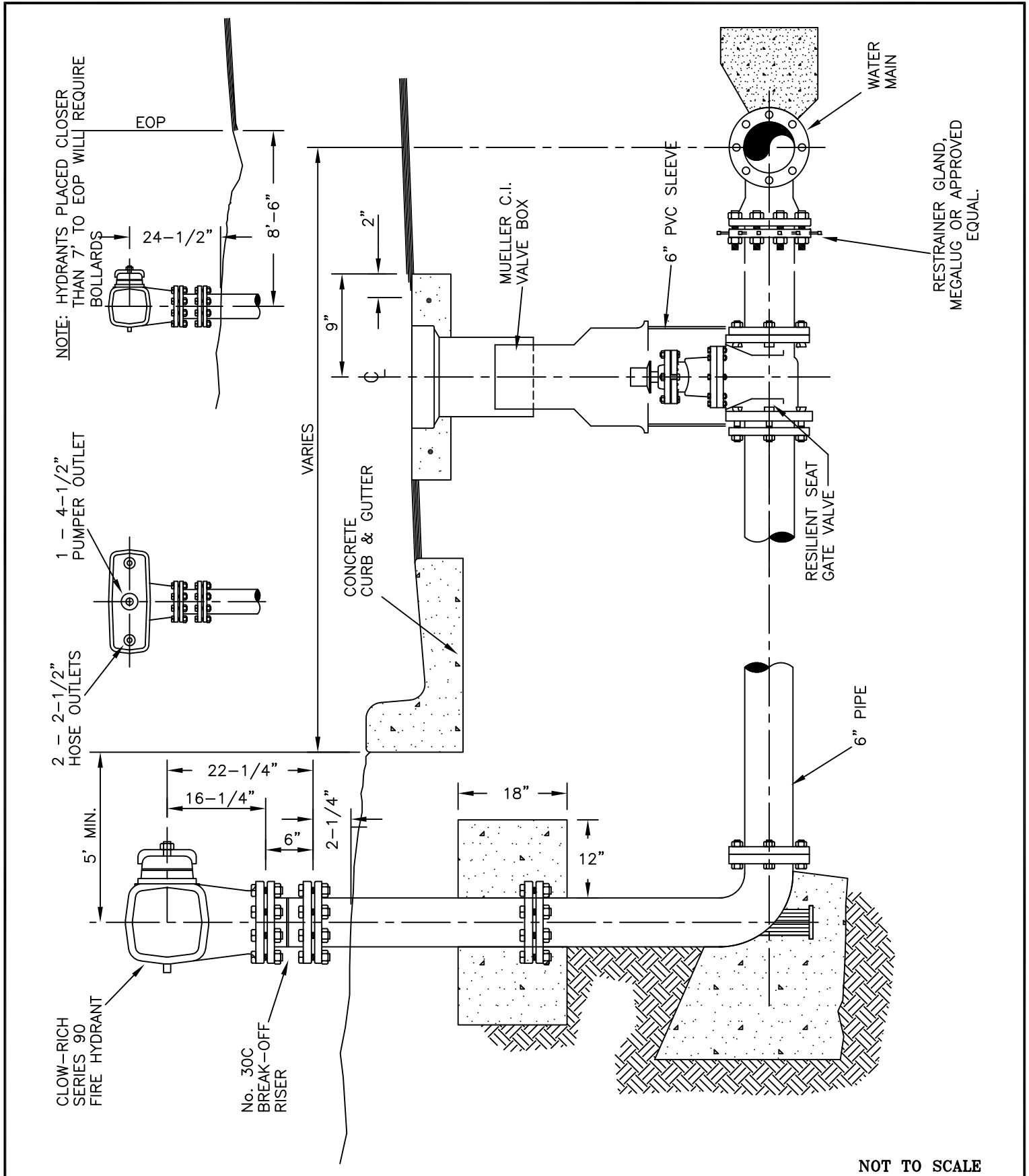
Civil Engineering Department
 P.O. BOX 10000,
 Lake Buena Vista Florida 32830-1000
 Certificate of Authorization No. 27841

**TYPICAL
 FIRE LINE SERVICE BACKFLOW
 PREVENTER INSTALLATION**

2	JH	3/23/2018	TITLE BLOCK UPDATED
ISSUE	APPR	DATE	ISSUED FOR



DESIGNED FOR:
 FIGURE:
W-9



NOT TO SCALE



Civil Engineering Department
 P.O. BOX 10000,
 Lake Buena Vista Florida 32830-1000
 Certificate of Authorization No. 27841

TYPICAL FIRE
 HYDRANT SETTING

DESIGNED FOR:

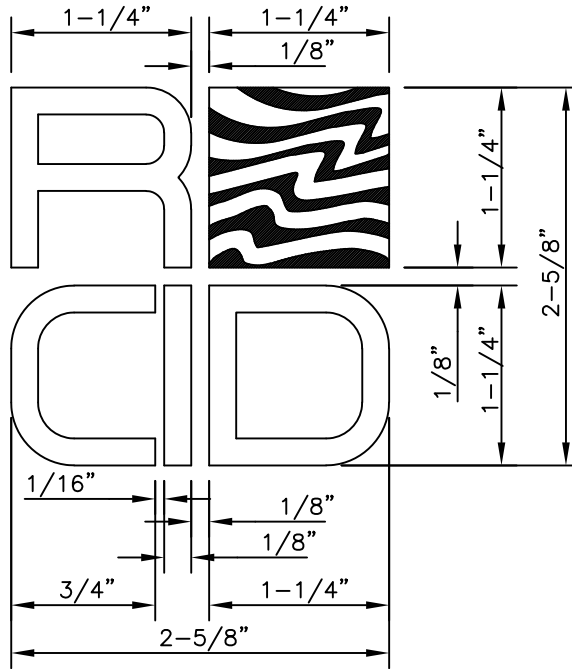


Reedy Creek
 IMPROVEMENT DISTRICT

FIGURE:

W-10a

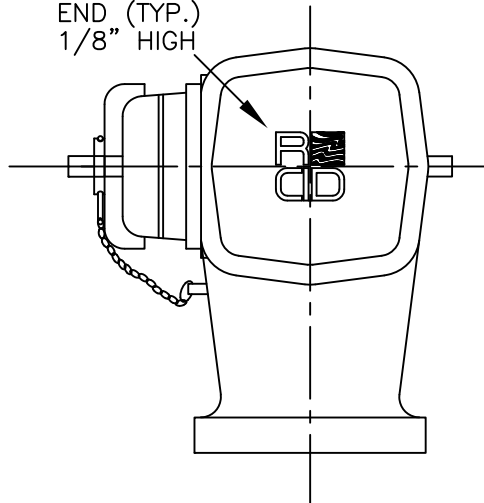
2	JH	3/23/2018	TITLE BLOCK UPDATED
ISSUE	APPR	DATE	ISSUED FOR



RCID LOGOTYPE

FIRE HYDRANTS

LOGO EACH
END (TYP.)
1/8" HIGH



FIRE HYDRANT
MARKING

NOT TO SCALE



Civil Engineering Department
P.O. BOX 10000,
Lake Buena Vista Florida 32830-1000
Certificate of Authorization No. 27841

RCID FIRE HYDRANT

MARKING

DESIGNED FOR:



Reedy Creek
IMPROVEMENT DISTRICT

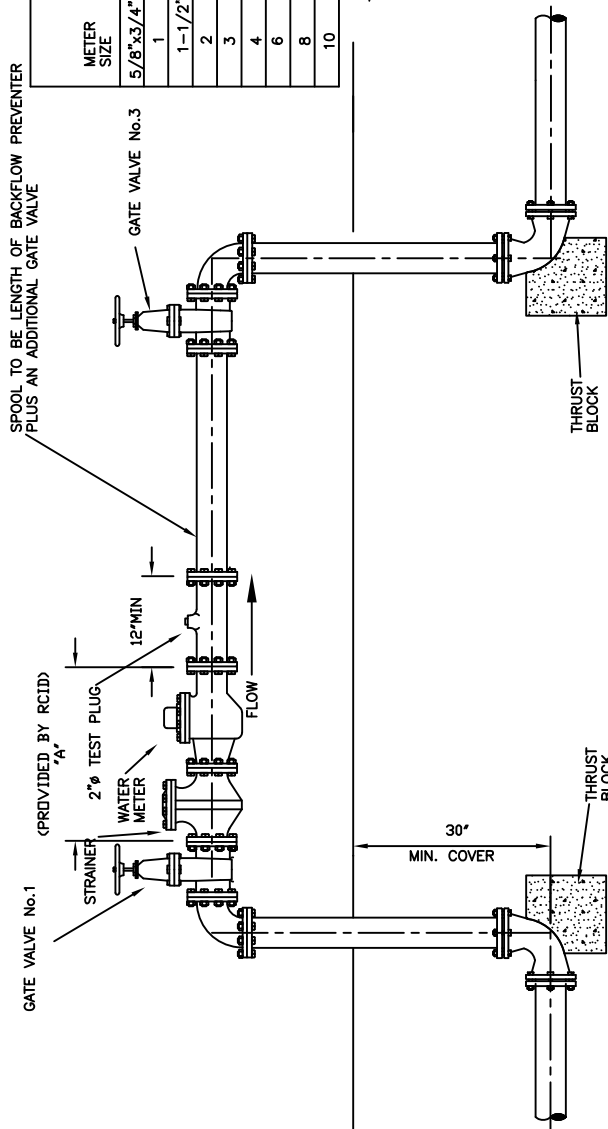
FIGURE:

W-10b

2	JH	3/23/2018	TITLE BLOCK UPDATED
ISSUE	APPR	DATE	ISSUED FOR

METER SIZE	METER TYPE / MODEL / LAY LENGTH "A"			
	POSITIVE DISPLACEMENT	COMPOUND		TURBINE
		MODEL	A	
5/8"x3/4"	7-1/2"	SR11	--	--
1	10-3/4"	SR11	--	--
1-1/2"	13"	SR11	--	13"
2	17"	SR11	22-1/4"	W-120 DRS
3	--	--	24"	W-160 DRS
4	--	--	29"	W-35- DRS
6	--	--	33"	W-1000 DR
8	--	--	--	27-1/8" W-2000 DR
10	--	--	--	30-1/8" W-3500 DR
	--	--	--	41-1/8" W-5500 DR

NOTES:
 1. LAY LENGTH INCLUDE STRAINER WHERE APPLICABLE
 2. METER / STRAINER ARE SENSUS
 3. ALL METERS 1-1/2" AND LARGER HAVE FLANGED ENDS
 4. ALL METERS SHALL HAVE STRAINERS



NOTES

1. ALL PIPE, FITTINGS AND APPURTENANCES 4" IN DIAMETER AND LARGER, ABOVE GRADE SHALL BE FLANGED DUCTILE IRON
2. ALL PIPE, FITTINGS AND APPURTENANCES BELOW GRADE SHALL BE MECHANICAL JOINT WITH MEGALUG OR APPROVED EQUAL MECHANICAL RESTRAINTS.
3. BACKFLOW PREVENTER TO MEET RCID APPROVAL
4. GATE VALVES 3" AND LARGER ARE RESILIENT SEAT TYPE
5. TYPE AND SIZE OF METER TO BE DETERMINED BY RCID
6. IN SOME INSTANCES, TEST PLUGS MAY BE INCORPORATED INTO THE METER BODY
7. PROVIDE 4" DIAMETER BOLLARDS AS REQUIRED TO PROTECT METER
8. IF METER SIZE IS LESS THAN LINE SIZE, PROVIDE NECESSARY REDUCERS.
9. PAINT ASSEMBLY WITH RED OXIDE PRIMER, FINISH COATS AS PER OWNERS INSTRUCTIONS

PIPE SIZE	ABOVE GROUND ENDS		ABOVE GROUND ENDS	
	MATERIAL	ENDS	MATERIAL	ENDS
3/4"	GALVANIZED	THREADED	PVC OR GALVANIZED	THREADED OR SOLVENT
1"		FLANGED		DUCTILE IRON
1-1/2"	DUCTILE IRON		DUCTILE IRON	
2"		DUCTILE IRON		DUCTILE IRON
3"	DUCTILE IRON		DUCTILE IRON	
4"		DUCTILE IRON		DUCTILE IRON
6"	DUCTILE IRON		DUCTILE IRON	
8"		DUCTILE IRON		DUCTILE IRON
10"	DUCTILE IRON		DUCTILE IRON	
12"		DUCTILE IRON		DUCTILE IRON

NOT TO SCALE



Civil Engineering Department
 P.O. BOX 10000,
 Lake Buena Vista Florida 32830-1000
 Certificate of Authorization No. 27841

**STANDARD
 RECLAIMED WATER METER
 INSTALLATION**

DESIGNED FOR:



FIGURE:

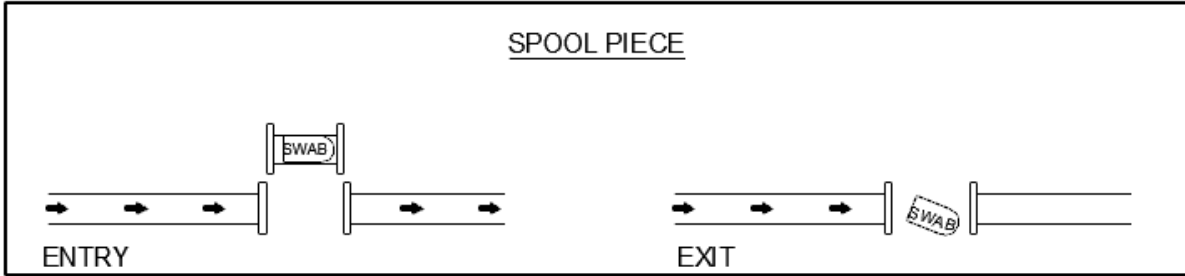
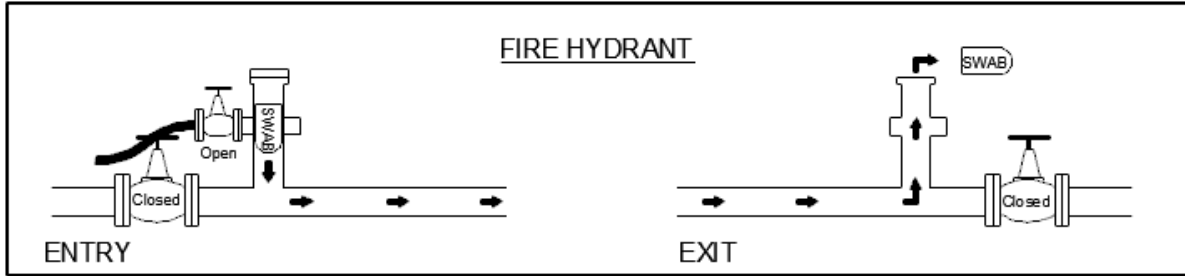
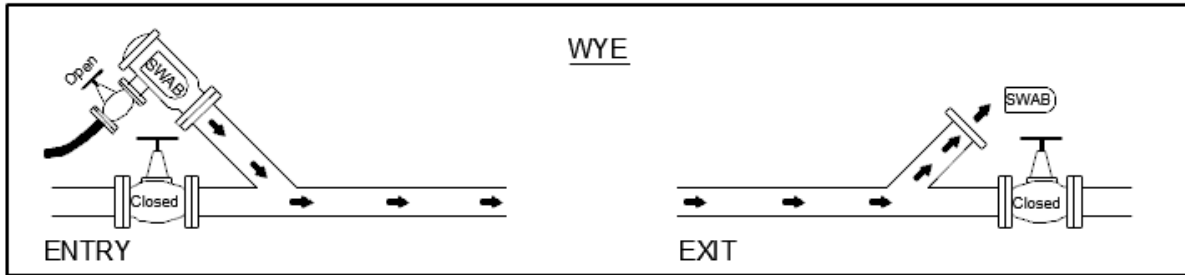
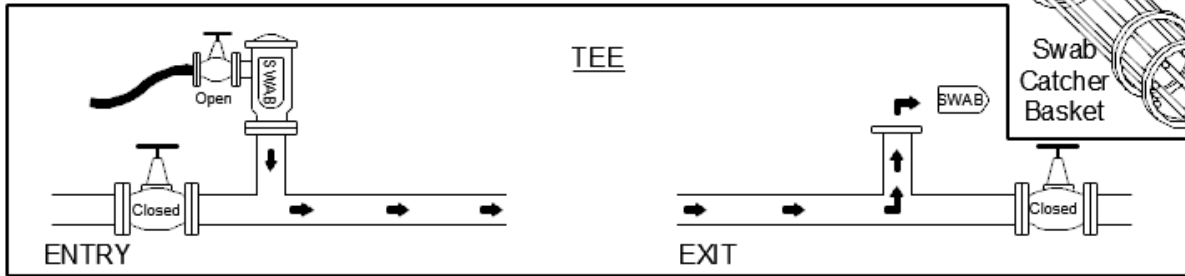
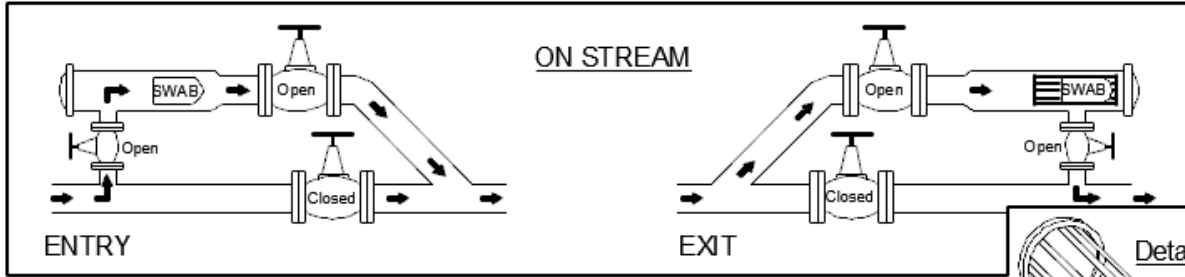
W-11

2	JH	3/23/2018	TITLE BLOCK UPDATED
ISSUE	APPR	DATE	ISSUED FOR

DATE: February 11, 2011

SWABBING ACCESS POINTS

FIGURE A205



NOTES:

1. FOAM SWAB.
2. SUGGESTED FOR WATER AND RECLAIMED WATER MAINS OF ALL SIZES. REQUIRED FOR WATER AND RECLAIMED WATER MAINS 16" DIAMETER AND GREATER.

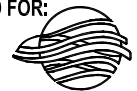
NOT TO SCALE



Civil Engineering Department
 P.O. BOX 10000,
 Lake Buena Vista Florida 32830-1000
 Certificate of Authorization No. 27841

SWABBING ACCESS POINTS

DESIGNED FOR:

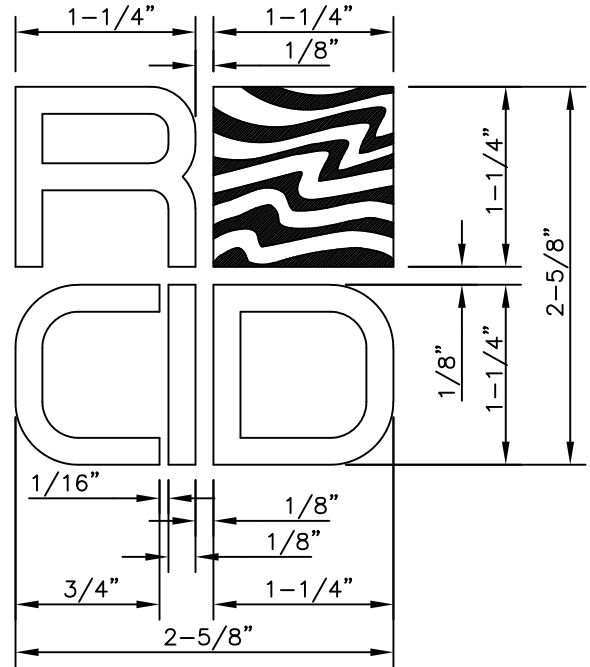
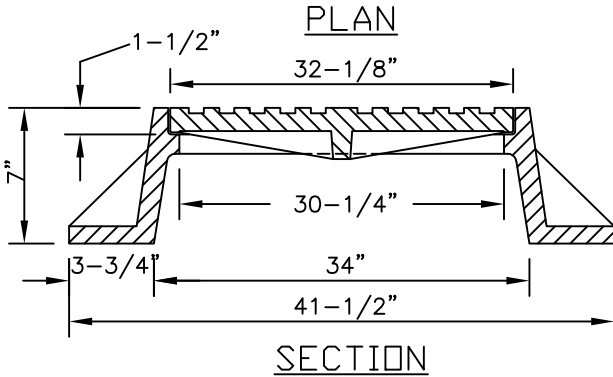
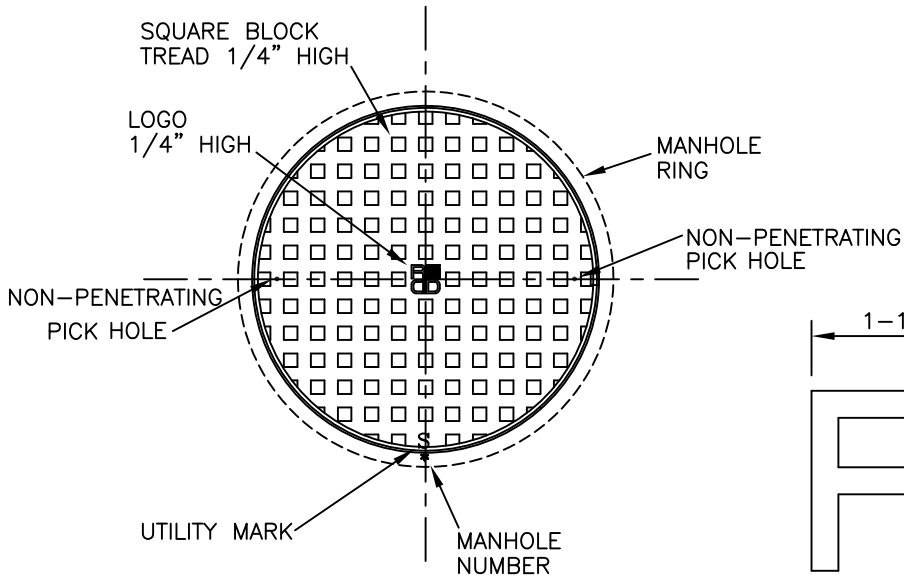


Reedy Creek
 IMPROVEMENT DISTRICT

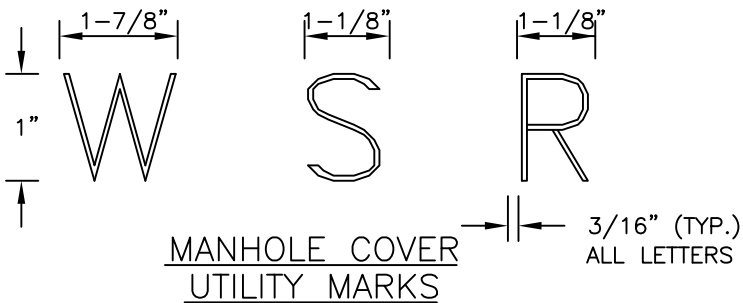
FIGURE:

W-12

2	JH	3/23/2018	TITLE BLOCK UPDATED
ISSUE	APPR	DATE	ISSUED FOR





RCID LOGOTYPE
FO MANHOLES LIDS



MANHOLE FRAMES AND
COVERS, USF 230, 595 LBS.

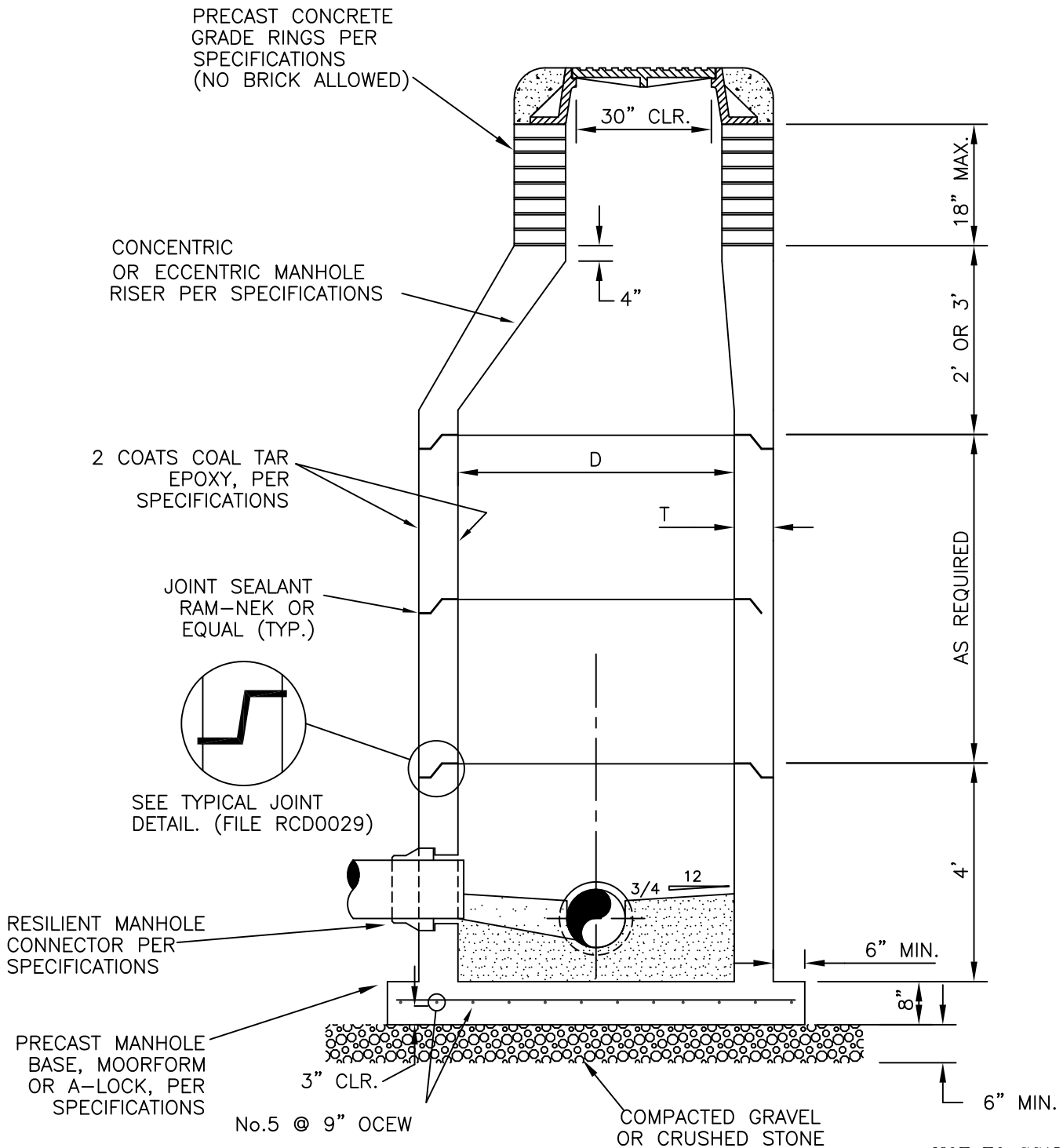
UTILITY	MARK
POTABLE WATER	W
REUSE WATER	R
SANITARY SEWER	S

NOT TO SCALE

 Civil Engineering Department P.O. BOX 10000, Lake Buena Vista Florida 32830-1000 Certificate of Authorization No. 27841	RCID STANDARD MANHOLE FRAME AND COVER				DESIGNED FOR:  Reedy Creek <small>IMPROVEMENT DISTRICT</small>
	2	JH	3/22/2018	TITLE BLOCK UPDATED	FIGURE: S-1
	ISSUE	APPR	DATE	ISSUED FOR	

PIPE DIAMETER	≤24"	≤24"	>24" to ≤36"	>36"
DEPTH TO INVERT	≤12"	>12"	ANY	ANY
INSIDE DIAMETER, "D"	4'	5'	5'	5'
MINIMUM WALL THICKNESS "T"	5"	6"	6"	6"

NOTE: WHERE A 5' MH IS REQUIRED, A TRANSITION SECTION TO A 4' CONE IS ALLOWED



NOT TO SCALE



Civil Engineering Department
P.O. BOX 10000,
Lake Buena Vista Florida 32830-1000
Certificate of Authorization No. 27841

TYPICAL PRECAST MANHOLE

DESIGNED FOR:

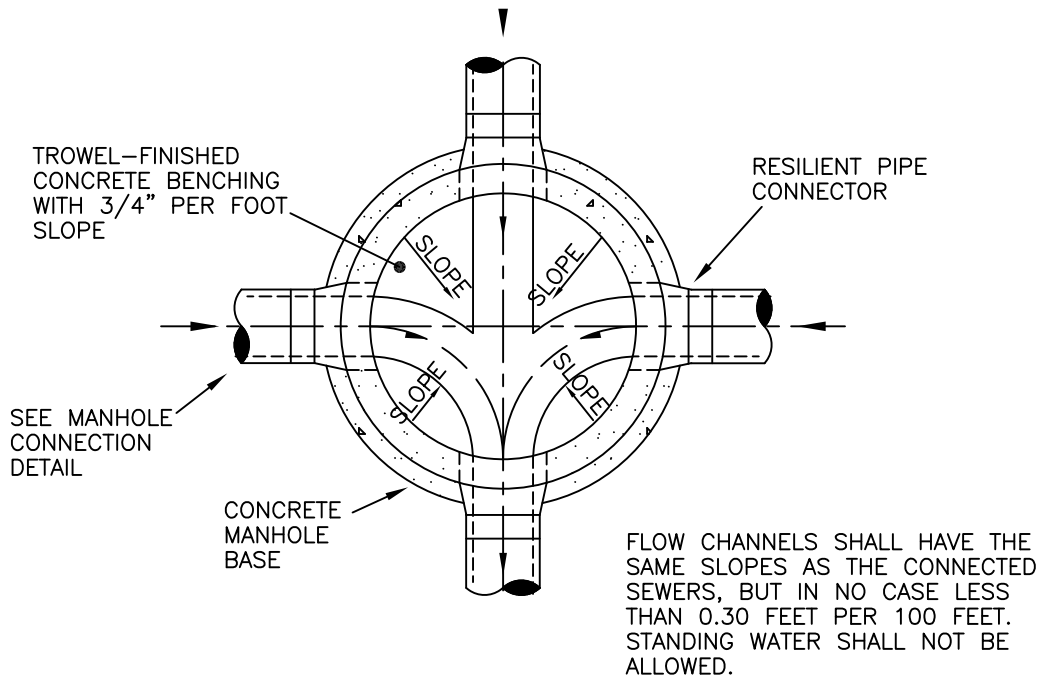


Reedy Creek
IMPROVEMENT DISTRICT

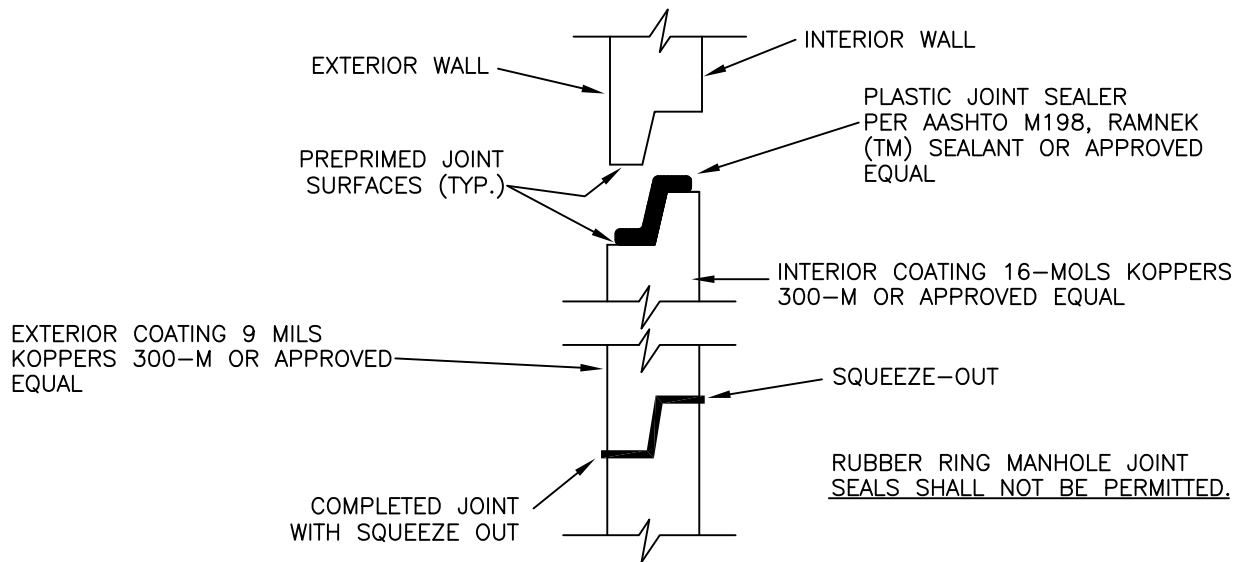
FIGURE:

S-2

2	JH	3/22/2018	TITLE BLOCK UPDATED
ISSUE	APPR	DATE	ISSUED FOR



FLOW CHANNEL DETAIL



TYPICAL MANHOLE JOINT DETAIL

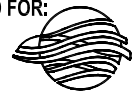
NOT TO SCALE



Civil Engineering Department
P.O. BOX 10000,
Lake Buena Vista Florida 32830-1000
Certificate of Authorization No. 27841

**TYPICAL
MANHOLE DETAILS**

DESIGNED FOR:



Reedy Creek
IMPROVEMENT DISTRICT

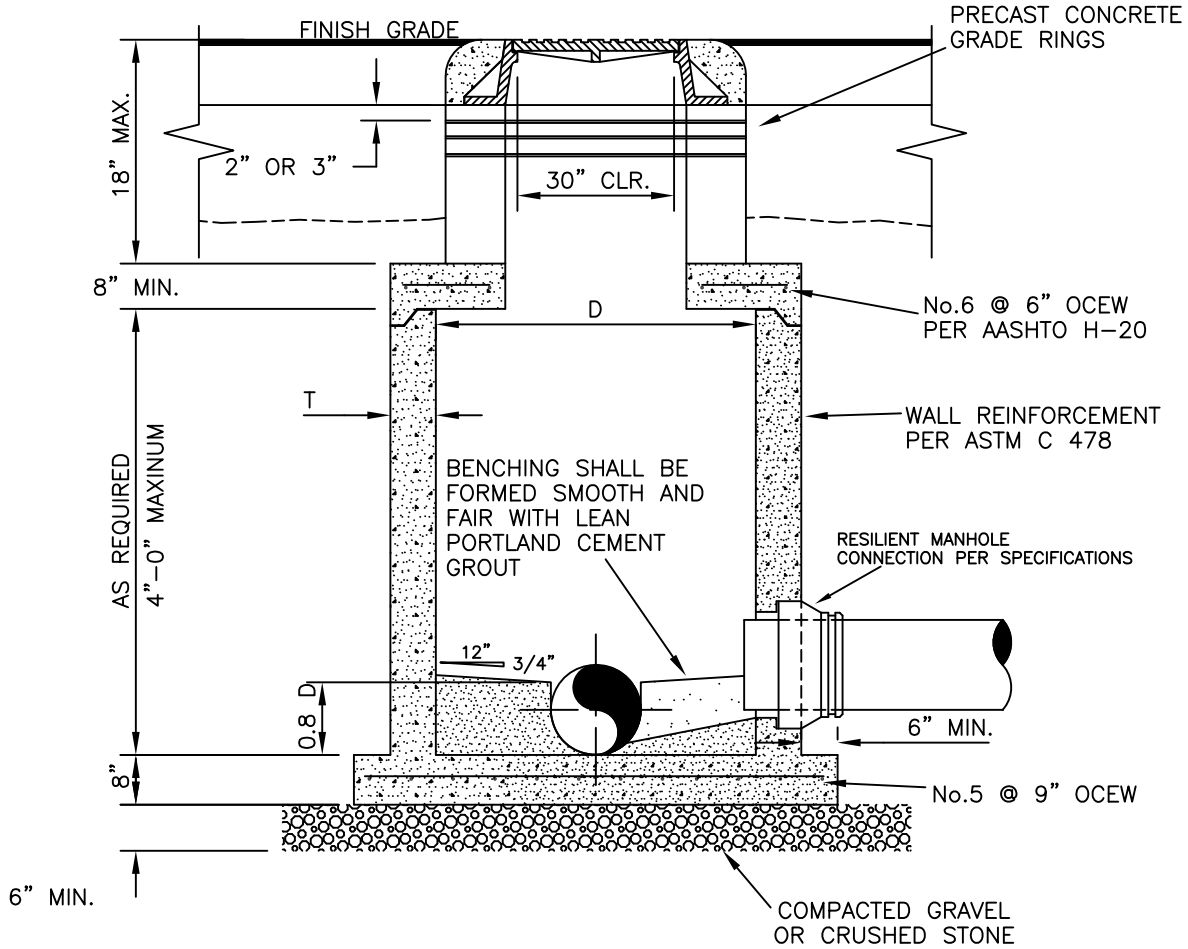
FIGURE:

S-3

2	JH	3/22/2018	TITLE BLOCK UPDATED
ISSUE	APPR	DATE	ISSUED FOR

PIPE DIAMETER	≤24"	≤24"	>24" to ≤36"	>36"
INSIDE DIAMETER, "D"	4'	5'	5'	6'
MINIMUM WALL THICKNESS "T"	5"	6"	6"	6"

NOTE: WHERE A 5' MH IS REQUIRED, A TRANSITION SECTION TO A 4' CONE IS ALLOWED



NOTES:

1. SHALLOW OR FLAT TOP MANHOLES SHALL BE USED IN ALL CASES WHERE THE DEPTH OF COVER IS LESS THAN FOUR (4) FEET.
2. THE PRECAST TOP SHALL BE DESIGNED TO SUPPORT THE OVERBURDEN PLUS A LIVE LOAD EQUIVALENT TO AASHTO H-20 LOADING.
3. ALL PIPE TO MANHOLE CONNECTIONS SHALL BE MADE USING RESILIENT PIPE CONNECTORS CONFORMING TO ASTM C-923.
4. GRADE ADJUSTMENT SHALL BE MADE USING PRECAST GRADE RINGS CONFORMING TO ASTM C-478. THE USE OF BRICK FOR MANHOLE ADJUSTMENT WILL NOT BE APPROVED.

NOT TO SCALE



Civil Engineering Department
P.O. BOX 10000,
Lake Buena Vista Florida 32830-1000
Certificate of Authorization No. 27841

**TYPICAL FLAT TOP
(SHALLOW) MANHOLE**



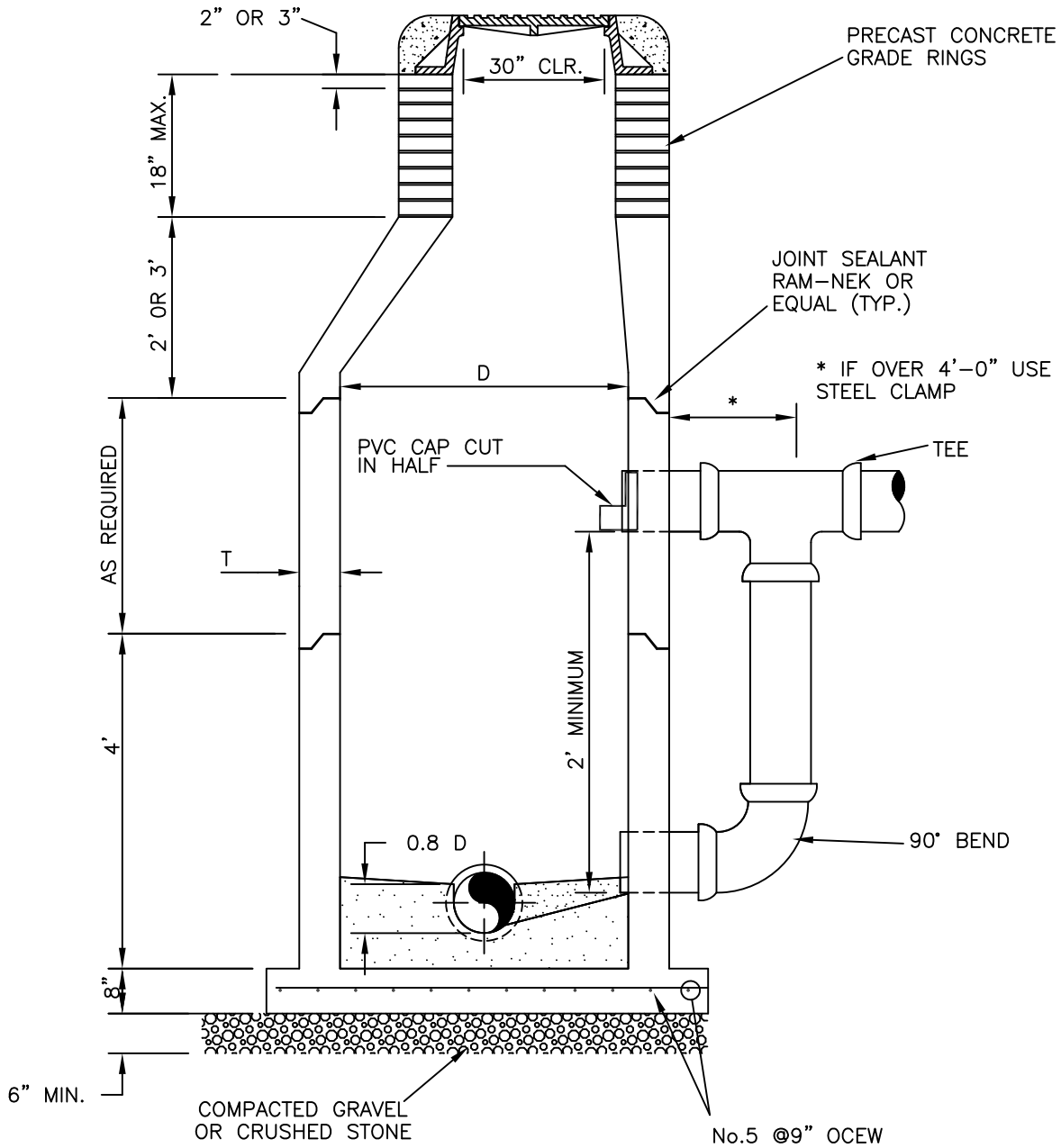
FIGURE:

S-4

2	JH	3/22/2018	TITLE BLOCK UPDATED
ISSUE	APPR	DATE	ISSUED FOR

INSIDE DIAMETER, "D"	4'	5'	5'	6'
MINIMUM WALL THICKNESS "T"	5"	6"	6"	6"

NOTE: WHERE A 5' MH IS REQUIRED, A TRANSITION SECTION TO A 4' CONE IS ALLOWED



PRECAST MANHOLE SECTIONS SHALL BE IN FULL COMPLIANCE WITH ASTM C 478

NOT TO SCALE



Civil Engineering Department
P.O. BOX 10000,
Lake Buena Vista Florida 32830-1000
Certificate of Authorization No. 27841

TYPICAL PRECAST
DROP MANHOLE

2	JH	3/22/2018	TITLE BLOCK UPDATED
ISSUE	APPR	DATE	ISSUED FOR

DESIGNED FOR:



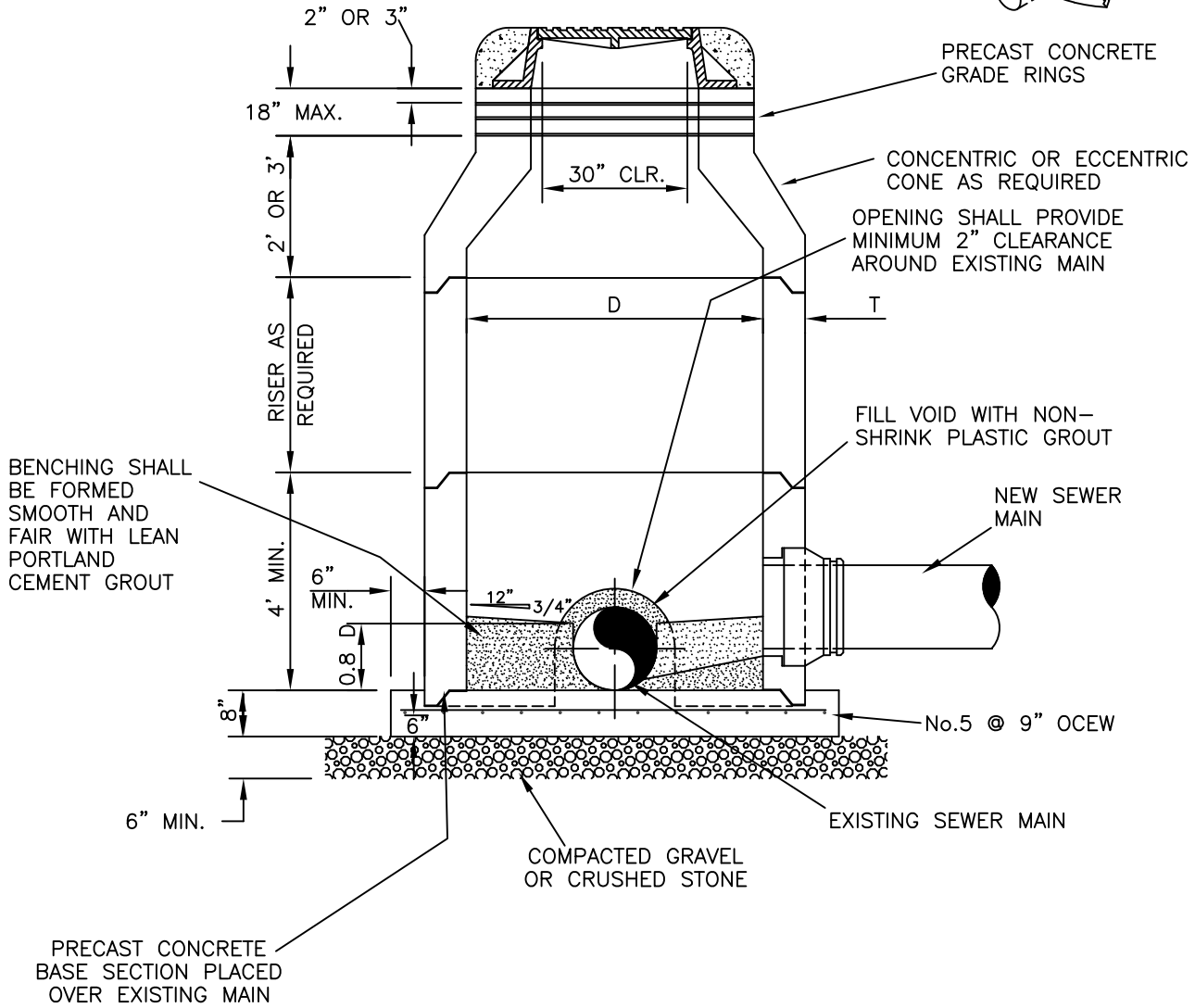
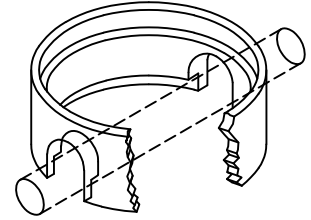
Reedy Creek
IMPROVEMENT DISTRICT

FIGURE:

S-5

PIPE DIAMETER	≤24"	≤24"	>24" to ≤36"	>36"
DEPTH TO INVERT	≤12"	>12"	ANY	ANY
INSIDE DIAMETER, "D"	4'	5'	5'	6'
MINIMUM WALL THICKNESS "T"	5"	6"	6"	6"

NOTE: WHERE A 5' MH IS REQUIRED, A TRANSITION SECTION TO A 4' CONE IS ALLOWED



NOTES:

1. ALL OPENINGS SHALL BE SEALED, WATERTIGHT WITH A WATERPROOF NON-SHRINK PLASTIC GROUT.
2. AFTER MANHOLE IS COMPLETED, INSPECTED AND APPROVED, THE TOP ONE THIRD OF THE PIPE SHALL BE CUT AWAY AND FLOW CHANNEL GROUTED AND RUBBED SMOOTH.
3. SEE STANDARD DETAIL FOR FRAME AND COVER.

NOT TO SCALE



Civil Engineering Department
P.O. BOX 10000,
Lake Buena Vista Florida 32830-1000
Certificate of Authorization No. 27841

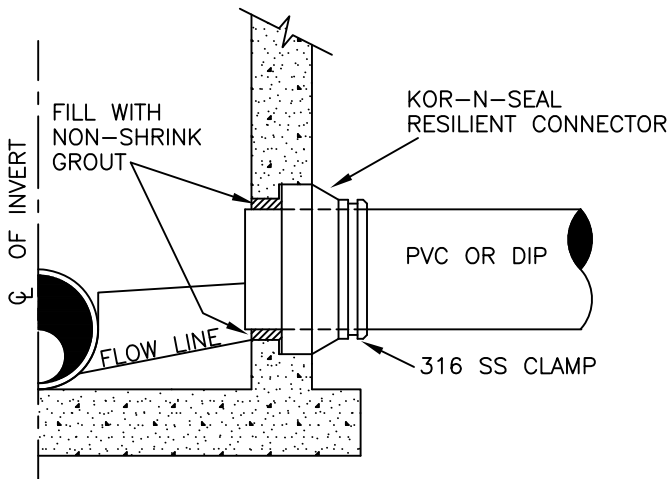
**TYPICAL SADDLE MANHOLE
OVER EXISTING MAIN**



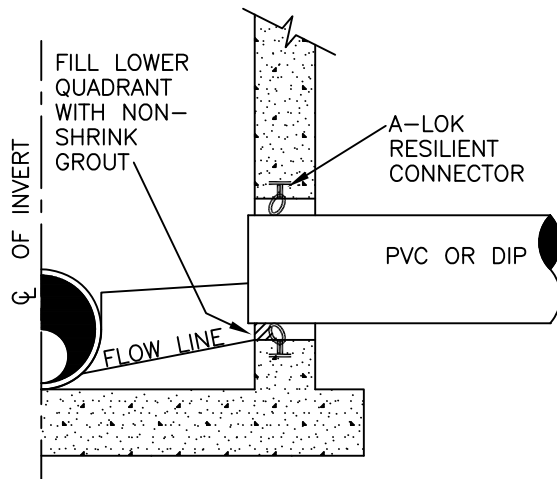
FIGURE:

S-6

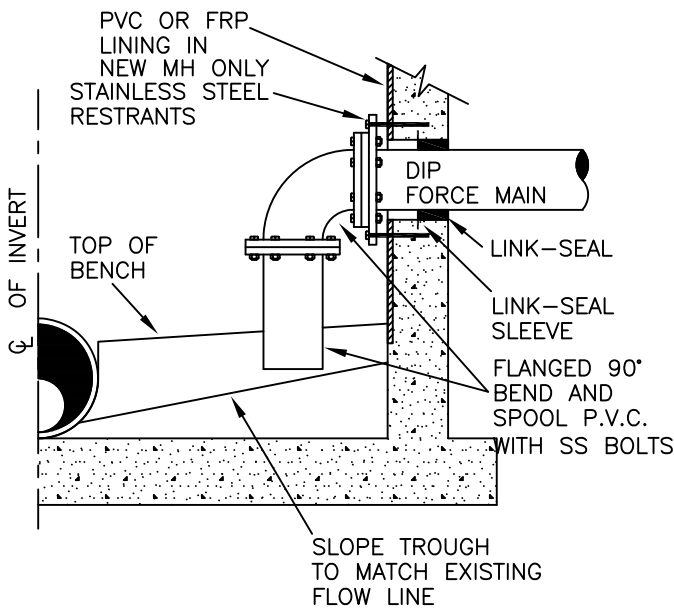
2	JH	3/22/2018	TITLE BLOCK UPDATED
ISSUE	APPR	DATE	ISSUED FOR



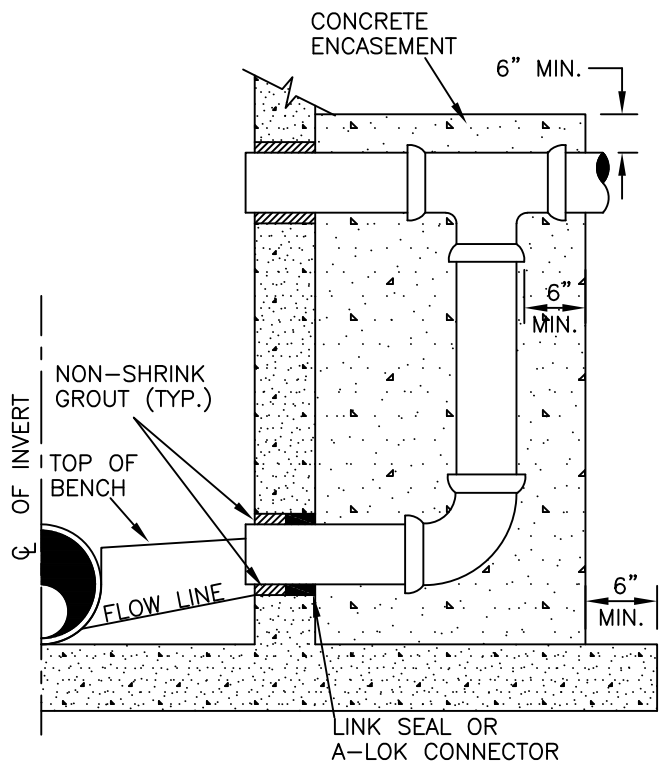
TYPICAL CONNECTION



ALTERNATE CONNECTION



FORCE MAIN CONNECTION



DROP MANHOLE CONNECTION

NOTES:

1. PENETRATIONS INTO EXISTING MANHOLES SHALL BE CORE BORED.
2. DROP MANHOLES SHALL BE REQUIRED WHENEVER AN INFLUENT SEWER LINE ENTERS A MANHOLE 24 INCHES OR MORE ABOVE THE MAIN INVERT FLOW LINE.

NOT TO SCALE

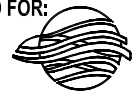


Civil Engineering Department
P.O. BOX 10000,
Lake Buena Vista Florida 32830-1000
Certificate of Authorization No. 27841

STANDARD MANHOLE
CONNECTION DETAILS

2	JH	3/22/2018	TITLE BLOCK UPDATED
ISSUE	APPR	DATE	ISSUED FOR

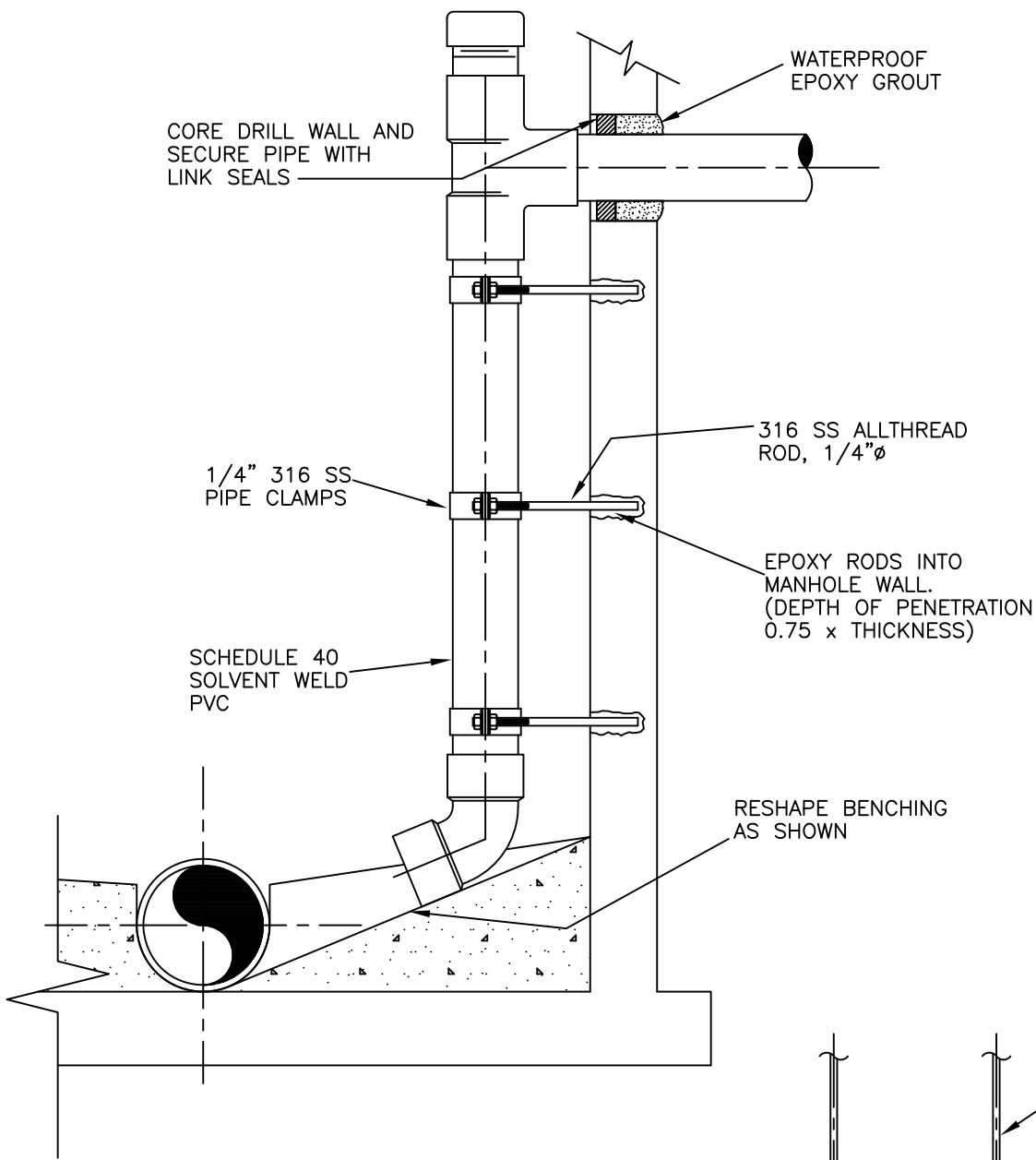
DESIGNED FOR:



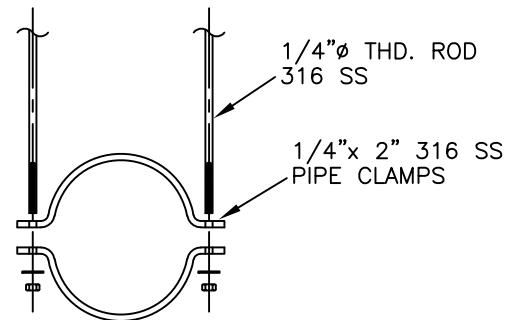
Reedy Creek
IMPROVEMENT DISTRICT

FIGURE:

S-7





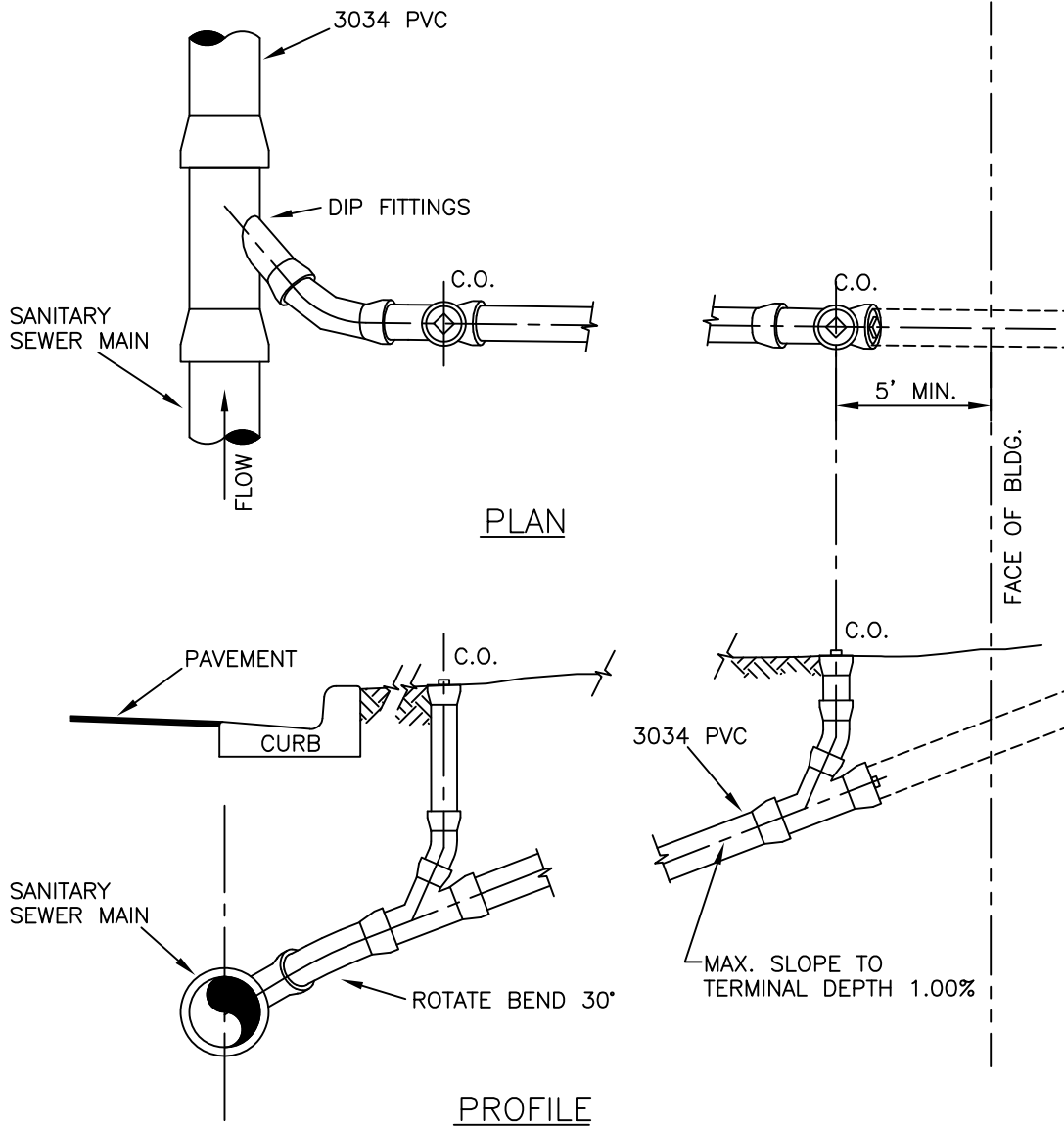
NOTE:
 THIS INSTALLATION SHALL NOT BE USED
 IN THE WORK WITHOUT THE EXPRESSED
 APPROVAL OF THE SERVING UTILITY



PIPE CLAMP DETAIL

NOT TO SCALE

 Civil Engineering Department P.O. BOX 10000, Lake Buena Vista Florida 32830-1000 Certificate of Authorization No. 27841	TEMPORARY				DESIGNED FOR:
	INTERNAL DROP CONNECTION				 Reedy Creek <small>IMPROVEMENT DISTRICT</small>
	2	JH	3/22/2018	TITLE BLOCK UPDATED	FIGURE:
	ISSUE	APPR	DATE	ISSUED FOR	S-8



NOTES:

1. LATERAL INSTALLATION SHALL BEGIN AT RCES SEWER CONNECTION POINT AND SHALL BE CONSTRUCTED TO WITHIN 5 FEET OF THE BUILDING AT A SLOPE SUFFICIENT TO YIELD A FLOW VELOCITY OF TWO FEET PER SECOND.
2. A BUILDING SIDE CLEAN OUT SHALL BE INSTALLED WITHIN FIVE (5) FEET OF BUILDING.
3. BENDS WILL NOT BE PERMITTED BETWEEN THE RCID SEWER AND THE CURB SIDE CLEAN OUT.
4. THE PIPE SECTION BETWEEN THE CURB SIDE CLEAN OUT AND THE BUILDING CLEAN OUT SHALL BE INSTALLED WITH OUT BENDS.
5. THE CURB SIDE CLEAN OUT SHALL BE FORMED USING A WYE AND A 45° ELBOW. THE CLEAN OUT BETWEEN THE 45° ELBOW AND THE SURFACE SHALL BE STRAIGHT WITH NO, BENDS OR ANGLES. TEE CONNECTIONS WILL NOT BE PERMITTED.

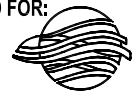
NOT TO SCALE



Civil Engineering Department
P.O. BOX 10000,
Lake Buena Vista Florida 32830-1000
Certificate of Authorization No. 27841

**STANDARD LATERAL
SEWER CONNECTIONS**

DESIGNED FOR:

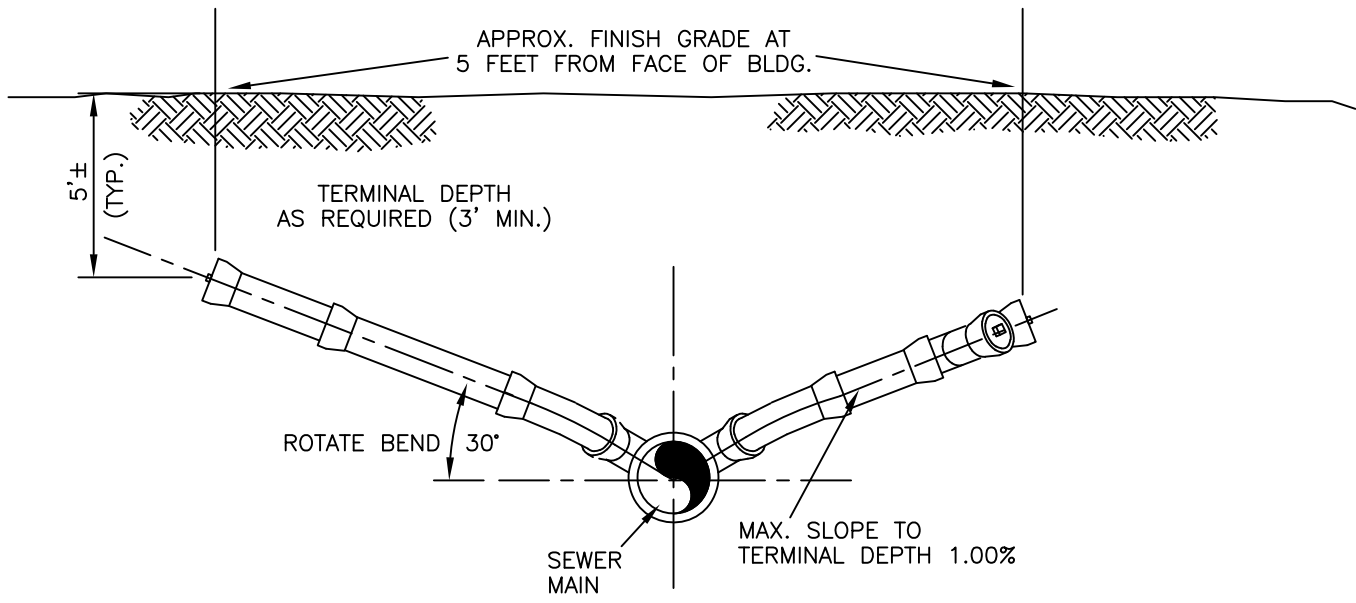
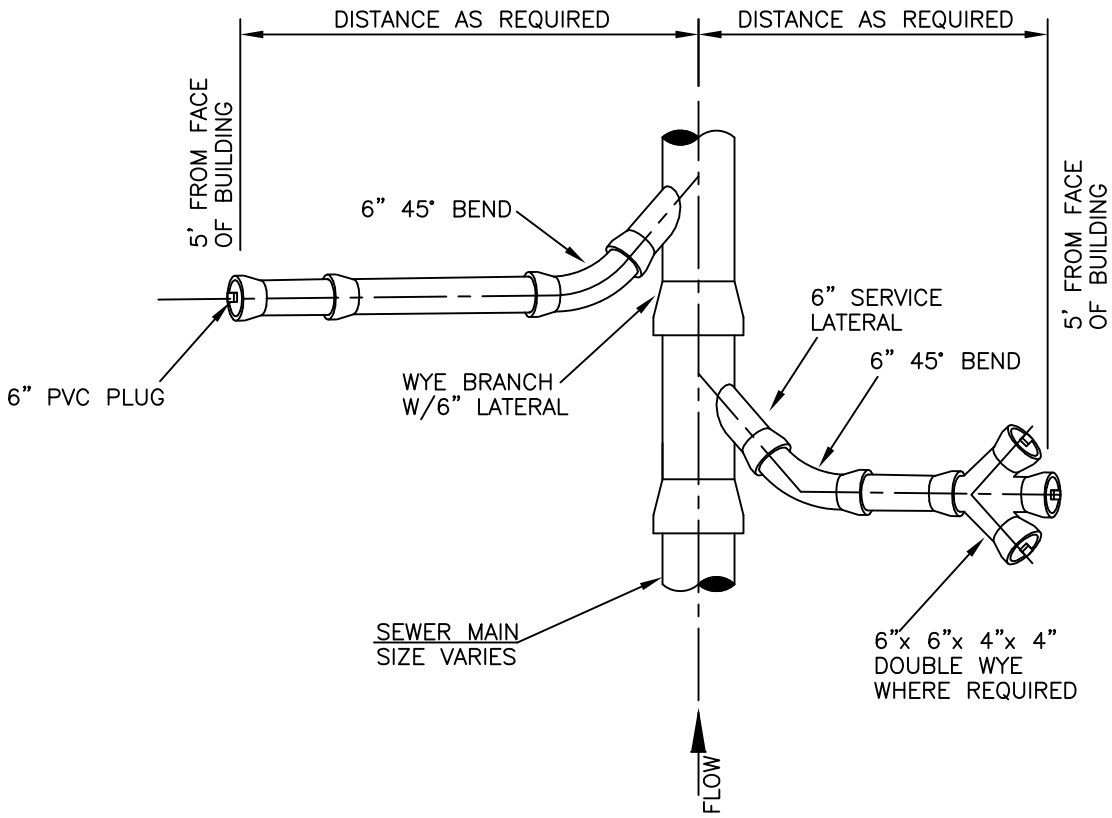


Reedy Creek
IMPROVEMENT DISTRICT

FIGURE:

S-9

2	JH	3/22/2018	TITLE BLOCK UPDATED
ISSUE	APPR	DATE	ISSUED FOR



NOT TO SCALE



Civil Engineering Department
 P.O. BOX 10000,
 Lake Buena Vista Florida 32830-1000
 Certificate of Authorization No. 27841

**SANITARY SERVICE
 CONNECTION**

DESIGNED FOR:

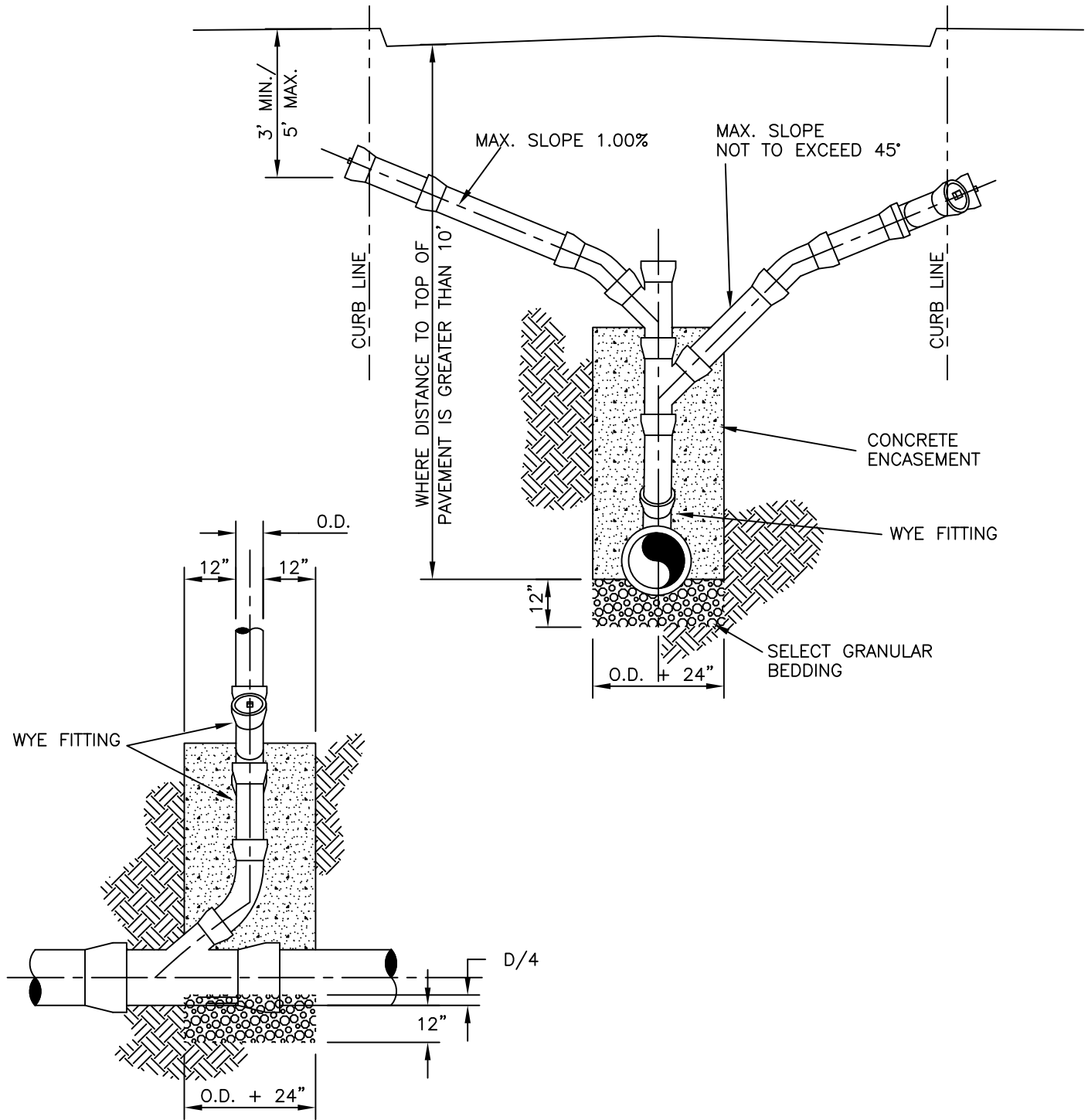


Reedy Creek
 IMPROVEMENT DISTRICT

FIGURE:

S-10

2	JH	3/22/2018	TITLE BLOCK UPDATED
ISSUE	APPR	DATE	ISSUED FOR



NOT TO SCALE



Civil Engineering Department
 P.O. BOX 10000,
 Lake Buena Vista Florida 32830-1000
 Certificate of Authorization No. 27841

SANITARY SERVICE

CHIMNEY CONNECTION

DESIGNED FOR:

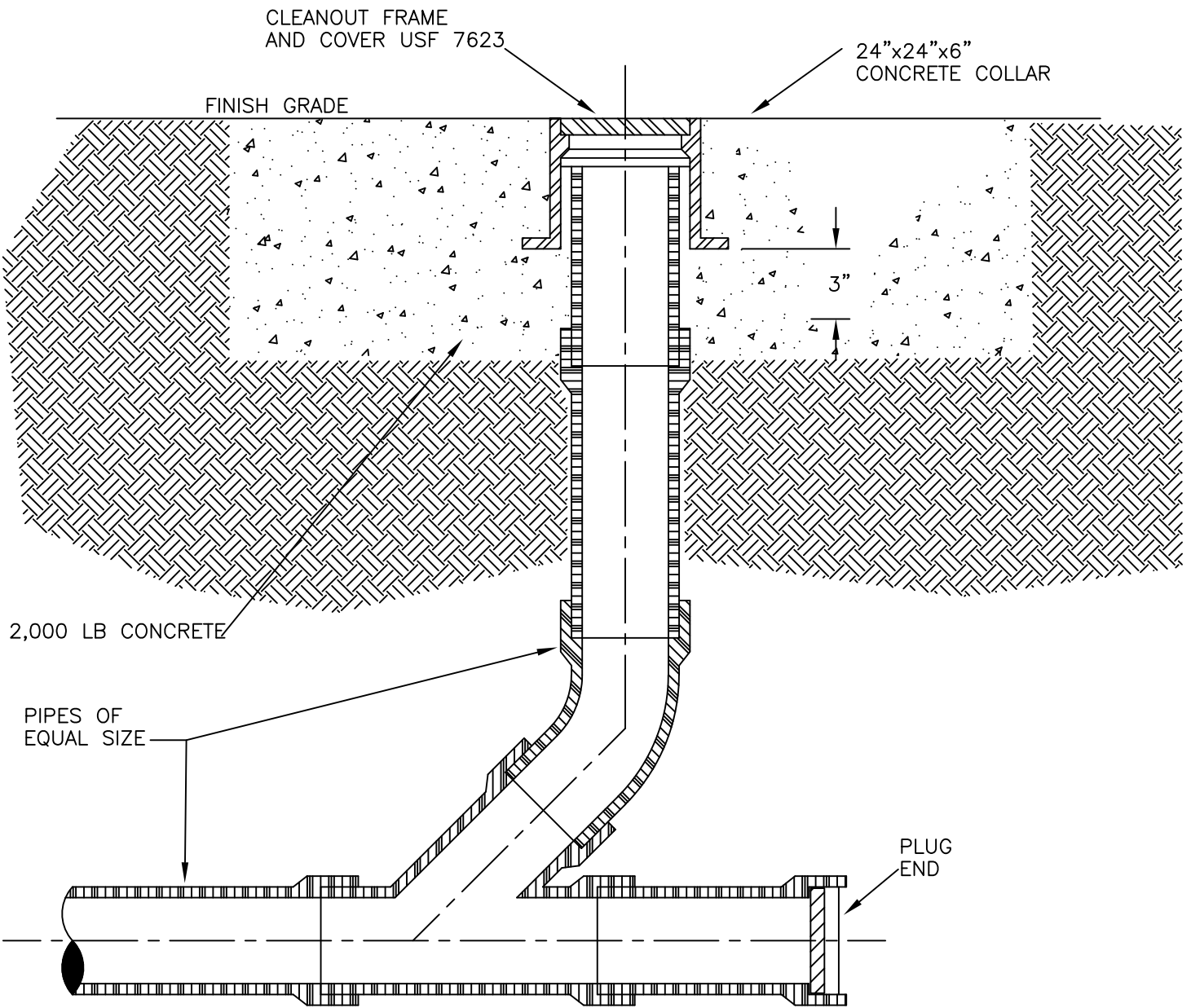


Reedy Creek
 IMPROVEMENT DISTRICT

FIGURE:

S-11

2	JH	3/22/2018	TITLE BLOCK UPDATED
ISSUE	APPR	DATE	ISSUED FOR



SANITARY GRAVITY SEWER CLEANOUT

NOT TO SCALE



Civil Engineering Department
 P.O. BOX 10000,
 Lake Buena Vista Florida 32830-1000
 Certificate of Authorization No. 27841

SANITARY SEWER CLEANOUT

DETAIL

2	JH	3/22/2018	TITLE BLOCK UPDATED
ISSUE	APPR	DATE	ISSUED FOR

DESIGNED FOR:



Reedy Creek
 IMPROVEMENT DISTRICT

FIGURE:

S-12

24" x 24" x 4"
CONCRETE COLLAR

℄

12"

4"



VALVE BOX AND COVER
U.S. FOUNDRY U.S.F. 7500
OR APPROVED EQUAL

UNDISTURBED
SOIL

PLUG VALVE

COMPACT TO 95% RELATIVE
DENSITY (ASTM D1556)

FORCE MAIN
VALVE AND
VALVE BOX SETTING

FINISH GRADE

30" MINIMUM
COVER

RESTRAINER GLAND
MEGALUG OR APPROVED
EQUAL

WATER MAIN

18" MIN.

10' MINIMUM

TIE RODS

DUCTILE IRON PIPE
FORCE MAIN

RESTRAINER
GLAND

UTILITY CROSSING

NOTES:

TIE RODS SHALL MEET OR EXCEED THE MATERIAL REQUIREMENTS OF ANSI/AWWA C111/A21.11 NOT TO SCALE



Civil Engineering Department
P.O. BOX 10000,
Lake Buena Vista Florida 32830-1000
Certificate of Authorization No. 27841

SANITARY FORCE MAIN

DETAILS

DESIGNED FOR:

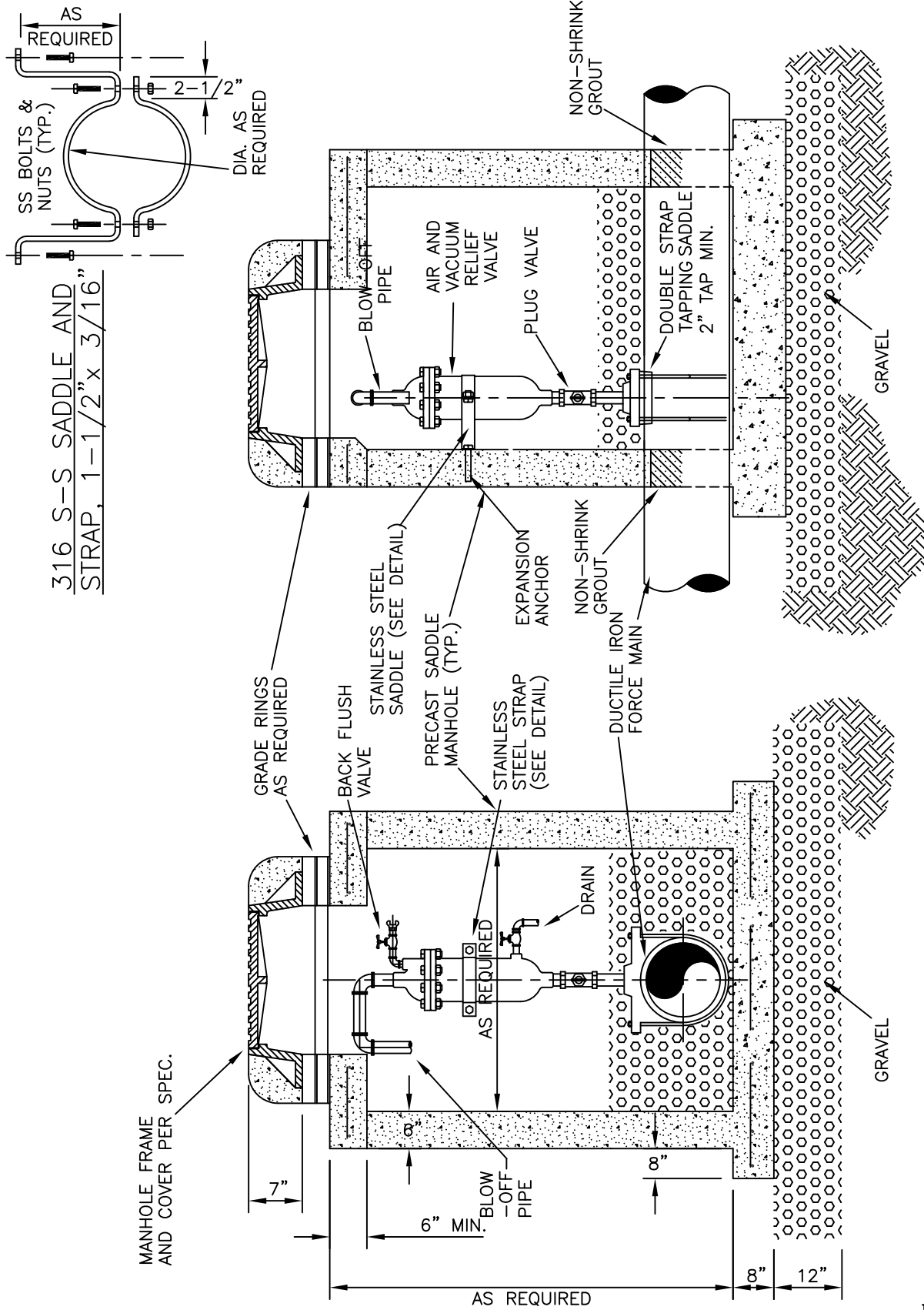


Reedy Creek
IMPROVEMENT DISTRICT

FIGURE:

S-13

2	JH	3/22/2018	TITLE BLOCK UPDATED
ISSUE	APPR	DATE	ISSUED FOR



316 S-S SADDLE AND STRAP, 1-1/2" x 3/16"

AIR AND VACUUM RELEASE VALVE INSTALLATION

AIR AND VACUUM RELEASE VALVES SHALL BE INSTALLED AT ALL HIGH POINTS IN THE LINE AND AT ALL CHANGES IN GRADE AS SHOWN ON THE PLANS, AND AT INTERVALS OF 1500 TO 2000 FEET ON LONG HORIZONTAL RUNS LACKING CLEARLY DEFINED HIGH POINTS.

PRECAST MANHOLE SECTIONS SHALL BE IN FULL COMPLIANCE WITH ASTM C478.

NOT TO SCALE



Civil Engineering Department
P.O. BOX 10000,
Lake Buena Vista Florida 32830-1000
Certificate of Authorization No. 27841

SANITARY FORCE MAIN

AIR AND VACUUM RELEASE VALVE

DESIGNED FOR:

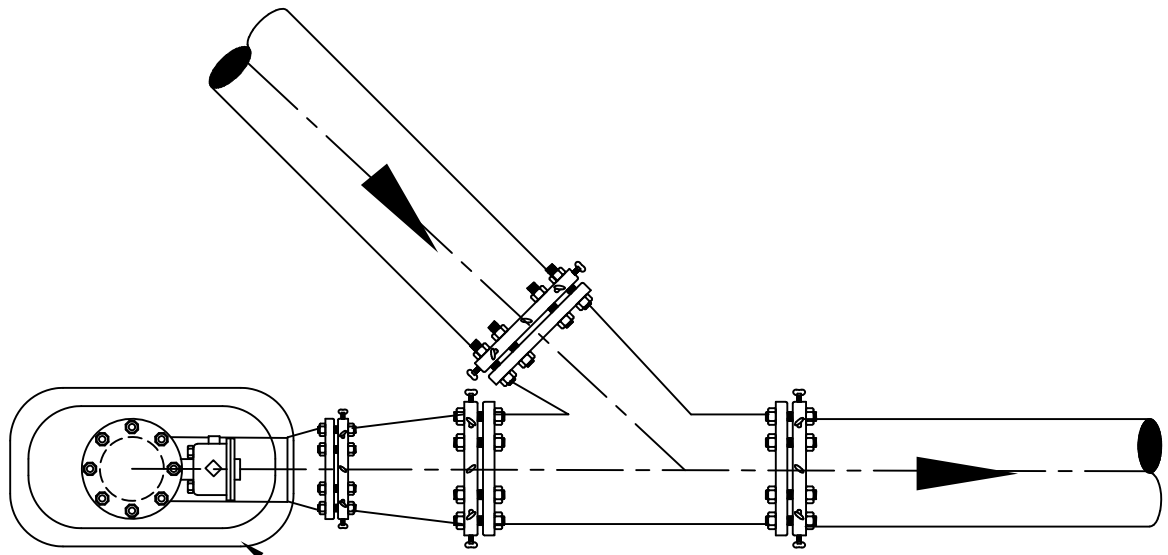


Reedy Creek
IMPROVEMENT DISTRICT

FIGURE:

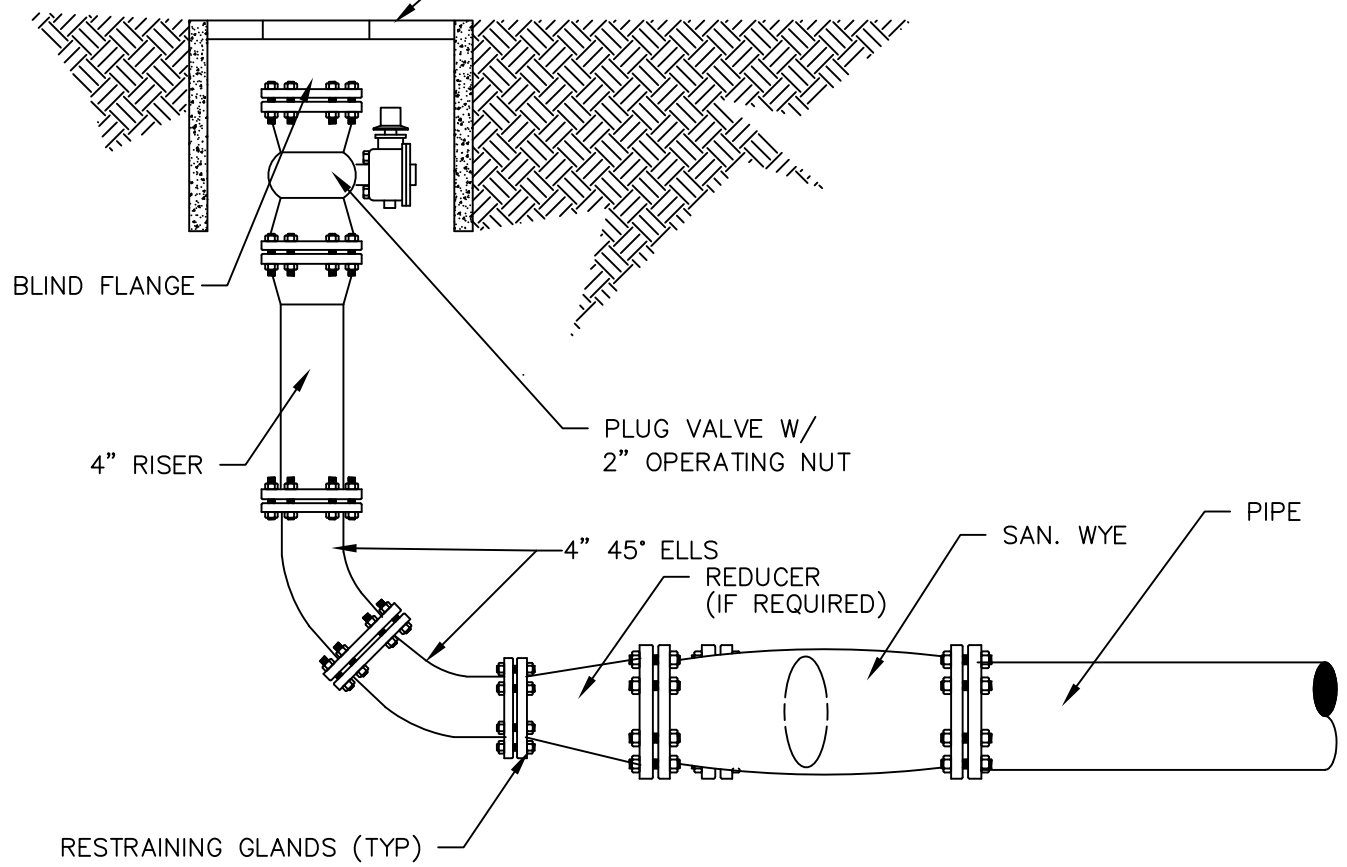
S-14

2	JH	3/22/2018	TITLE BLOCK UPDATED
ISSUE	APPR	DATE	ISSUED FOR



18"x30" CONCRETE METER BOX WITH CAST IRON LID

PLAN VIEW



SECTION

NOT TO SCALE



Civil Engineering Department
 P.O. BOX 10000,
 Lake Buena Vista Florida 32830-1000
 Certificate of Authorization No. 27841

FORCE MAIN CLEANOUT

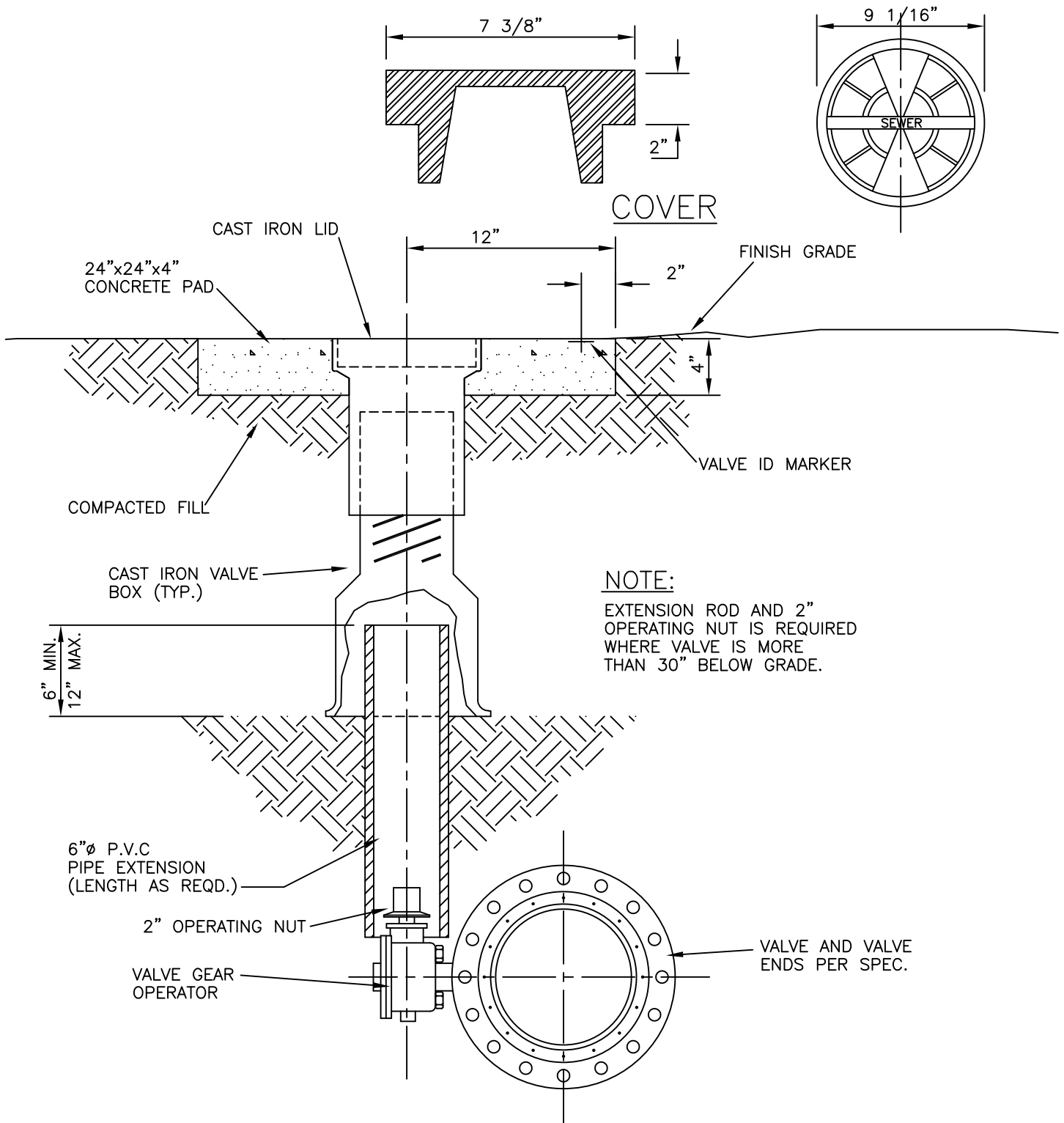
DETAILS



FIGURE:

S-15

2	JH	3/23/2018	TITLE BLOCK UPDATED
ISSUE	APPR	DATE	ISSUED FOR



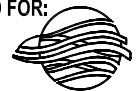
NOT TO SCALE



Civil Engineering Department
P.O. BOX 10000,
Lake Buena Vista Florida 32830-1000
Certificate of Authorization No. 27841

PLUG VALVE SETTING

DESIGNED FOR:

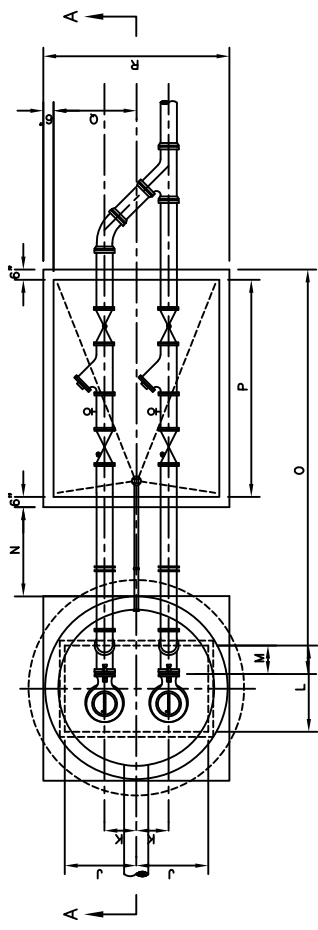


Reedy Creek
IMPROVEMENT DISTRICT

FIGURE:

S-16

2	JH	3/23/2018	TITLE BLOCK UPDATED
ISSUE	APPR	DATE	ISSUED FOR

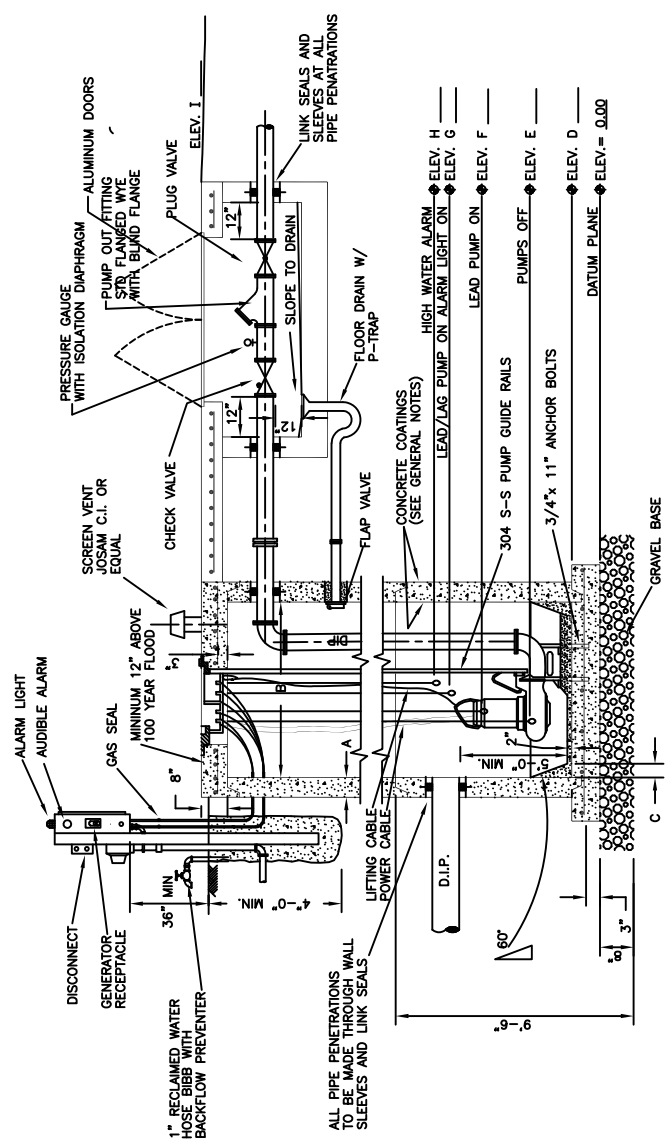


PLAN
NTS

DIMENSIONAL DATA																		
Mk.	A	B	C	D	E	F	G	H	I	J	K	L	M	N	O	P	Q	R
DIM. FT.	.67	5.00	0.83	*	*	*	*	*	*	*	*	*	*	1.5	MIN.	MIN.	2.50	6.00
	MIN.	MIN.	MIN.															

* DIMENSIONS TO BE PROVIDED BY DESIGN ENGINEER

NOTE: ALL PIPE PENETRATIONS INTO THE WET WELL OR VALVE BOX SHALL BE CORE-BORED AND SEALED WITH LINK-SEALS, AND GROUTED ON THE EXTERIOR.



SECTION A-A
NTS

- GENERAL NOTES:
1. WITH THE EXCEPTION OF STAINLESS STEEL AND ALUMINUM EXPOSED SURFACES SHALL BE PRIMED AND PAINTED WITH 2 COATS OF EXTERIOR ENAMEL.
 2. THE INTERIOR AND MATING SURFACES SHALL HAVE A PROTECTIVE COAL TAR EPOXY COATING HAVING A MINIMUM DRY THICKNESS OF 16 MILS. THE EXTERIOR SURFACES SHALL HAVE A MINIMUM DRY THICKNESS OF 9 MILS.
 3. THE BASE SECTION AND FIRST RISER SHALL BE CAST MONOLITHICALLY.
 4. THERE SHALL BE A MINIMUM CLEARANCE OF 12 INCHES BETWEEN PIPING, VALVES, FITTINGS, ETC. AND VALVE VAULT SIDE WALLS AND FLOOR.
 5. THE VALVE VAULT SHALL HAVE A SEALED FLOOR DRAIN WITH A P-TRAP AND FLAP VALVE.
 6. CONCRETE TOP OF WET WELL AND VALVE VAULT SHALL BE GREEN PIGMENTED

NOT TO SCALE



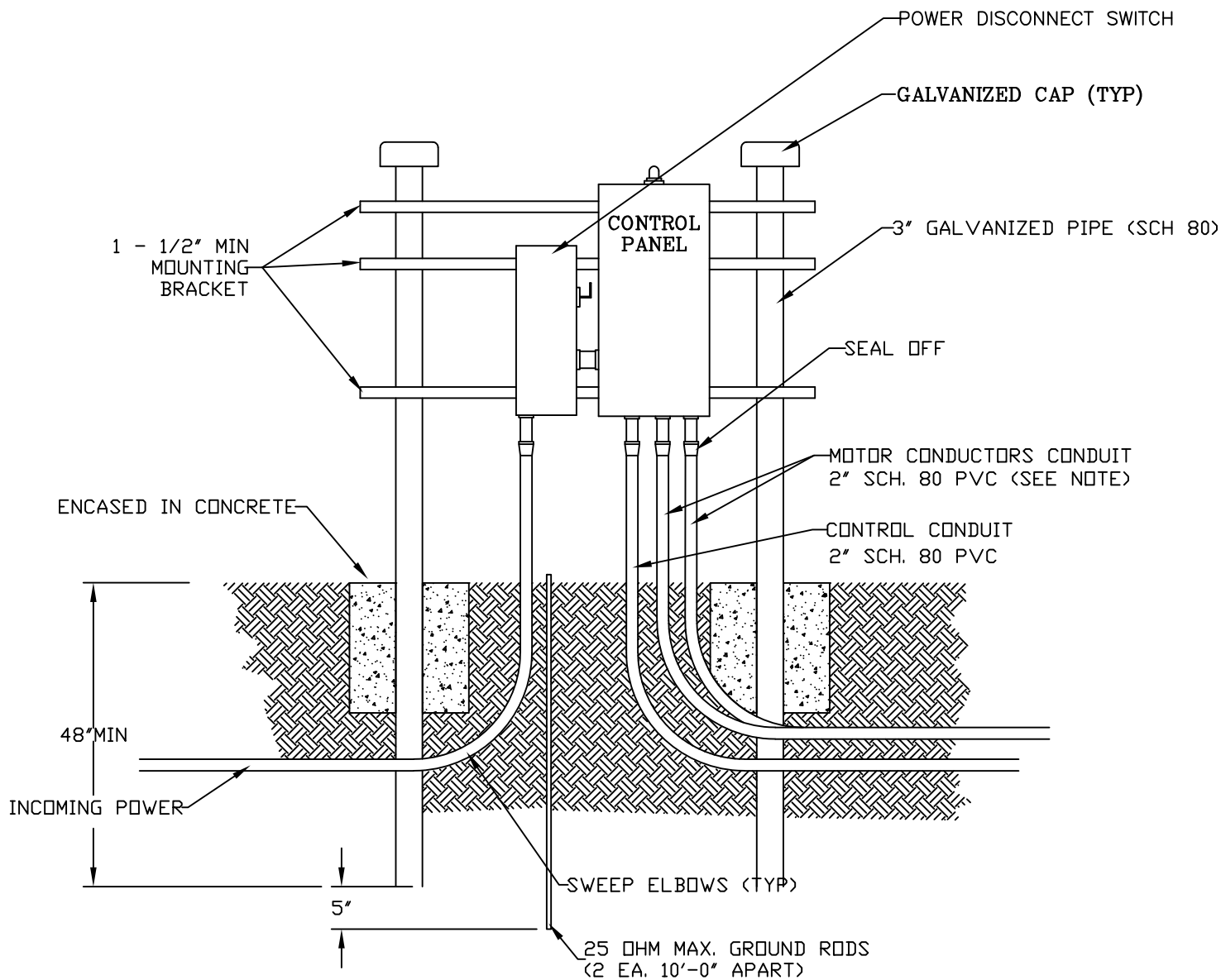
Civil Engineering Department
P.O. BOX 10000,
Lake Buena Vista Florida 32830-1000
Certificate of Authorization No. 27841

SANITARY SEWERAGE LIFT STATION 1000 GPM OR SMALLER STANDARD DETAILS

DESIGNED FOR:
 Reedy Creek
IMPROVEMENT DISTRICT

2	JH	3/23/2018	TITLE BLOCK UPDATED
ISSUE	APPR	DATE	ISSUED FOR

FIGURE:
S-17a



NOTES:

1, WHEN TWO (2) SEPARATE CONDUCTORS - TYPE MOTORS ARE USED CONDUIT SHALL BE INCREASED TO 3".

2, POWER SUPPLY SHALL BE UNDERGROUND AND SHALL BE 3 PHASE ONLY

NOT TO SCALE



Civil Engineering Department
 P.O. BOX 10000,
 Lake Buena Vista Florida 32830-1000
 Certificate of Authorization No. 27841

**SANITARY LIFT STATION
 1000 GPM OR SMALLER
 CONTROL PANEL INSTALLATION**

2	JH	3/23/2018	TITLE BLOCK UPDATED
ISSUE	APPR	DATE	ISSUED FOR

DESIGNED FOR:



Reedy Creek
 IMPROVEMENT DISTRICT

FIGURE:

S-17c